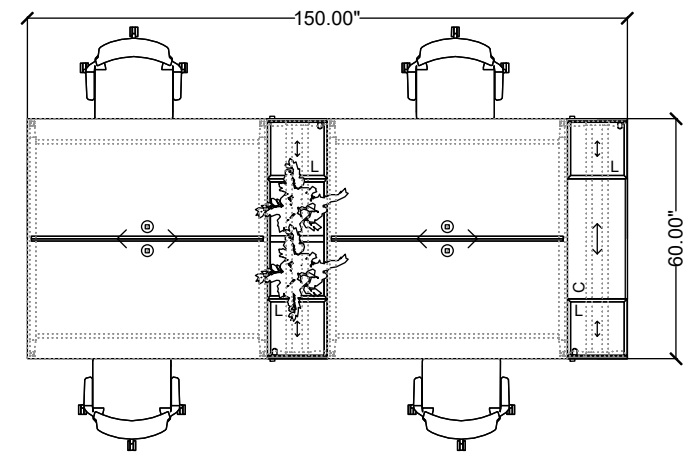


stylex

FREE ADDRESS 10



Materials priced in Grade B Fabric. This specification is for budget purposes and reflects list pricing.



FREE ADDRESS 10

LINE	PART NUMBER	PART DESCRIPTION	QTY	LIST	EXT. LIST
1	FA5D6060	Free Address, Table, 29in Desk Height, 60D x 60W	2	\$4,014.00	\$8,028.00
2	FA6C2H29	Free Address, Cubby, 29H x 15D x 30W, Double	1	\$1,886.00	\$1,886.00
3	FA6L1H29	Free Address, Locker, 29H x 15D x 15W, Single	2	\$1,831.00	\$3,662.00
4	FA6L1H29	Free Address, Locker, 29H x 15D x 15W, Single	2	\$1,831.00	\$3,662.00
5	FA6P2H29	Free Address, Planter, 29H x 15D x 30W, Double	1	\$2,734.00	\$2,734.00
6	FA7PC67	Free Address, Privacy Screen, Center, 60 Full, Mid	2	\$887.00	\$1,774.00
7	FA8SD15L60	Free Address, Frame, 15D x 60W	2	\$1,039.00	\$2,078.00
8	F264	F4 Standard Height, Med Back, Fully Uph, Arm	4	\$1,999.00	\$7,996.00
				Quote Total:	\$31,820.00