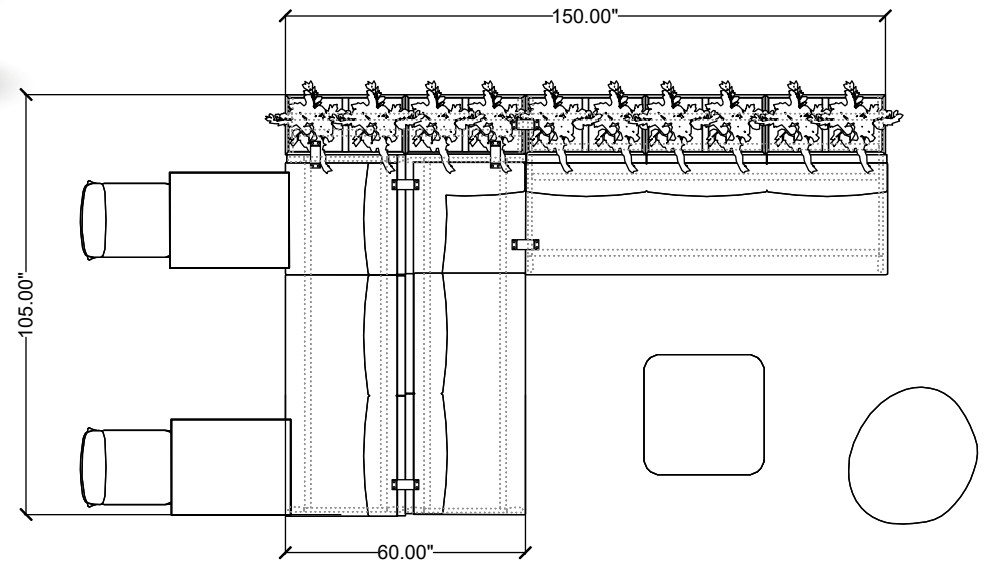


stylex

FREE ADDRESS 02



Materials priced in Grade B Fabric. This specification is for budget purposes and reflects list pricing.



FREE ADDRESS 02

LINE	PART NUMBER	PART DESCRIPTION	QTY	LIST	EXT. LIST
1	TR303016CLM	Trim, Coffee Table, 30D x 30W x 16H, Closed Base, Laminate	1	\$1,658.00	\$1,658.00
2	CV452	Cove Lounge, Wood Base	1	\$3,467.00	\$3,467.00
3	DL111	Dela, Guest 4-Leg Armless, Fully Upholstered	2	\$1,269.00	\$2,538.00
4	OB-TR24030-ST1-B29	Opair Multi-Purpose Table with Single Base - True Rectangle 24x30" Straight	2	\$1,395.00	\$2,790.00
5	FA21SE36R	Free Address, 36H, Single Seat, Standard Seam, End Panel Right	1	\$3,350.00	\$3,350.00
6	FA22S	Free Address, 36H, Double Seat, Standard Seam	2	\$4,268.00	\$8,536.00
7	FA23S	Free Address, 36H, Triple Seat, Standard Seam	1	\$6,252.00	\$6,252.00
8	FA24S	Free Address, 36H, Corner Seat, Standard Seam	1	\$3,684.00	\$3,684.00
9	FA6P2H36	Free Address, Planter, 36H x 15D x 30W, Double	5	\$2,927.00	\$14,635.00
10	FA8SD15L60	Free Address, Frame, 15D x 60W	1	\$1,039.00	\$1,039.00
11	FA8SD30L90	Free Address, Frame, 30D x 90W	2	\$1,412.00	\$2,824.00
12	FA8SD45L90	Free Address, Frame, 45D x 90W	1	\$2,091.00	\$2,091.00
13	FAFG1	Free Address, Ganging Bracket, Style 1	5	\$59.00	\$295.00
14	FAFG2	Free Address, Ganging Bracket, Style 2	1	\$59.00	\$59.00