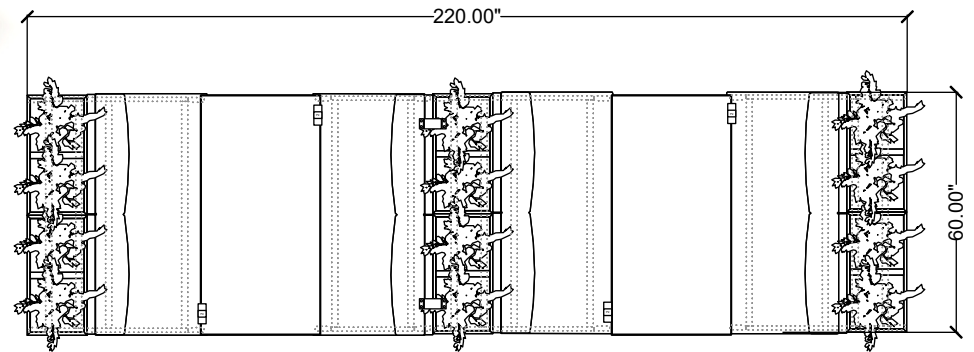


# stylex

FREE ADDRESS 11



Materials priced in Grade B Fabric. This specification is for budget purposes and reflects list pricing.



## FREE ADDRESS 11

LINE	PART NUMBER	PART DESCRIPTION	QTY	LIST	EXT. LIST
1	FA32S	Free Address, 42H, Double Seat, Standard Seam	4	\$5,085.00	\$20,340.00
2	FA6P2H42	Free Address, Planter, 42H x 15D x 30W, Double	6	\$3,091.00	\$18,546.00
3	FA8SD30L60	Free Address, Frame, 30D x 60W	1	\$1,250.00	\$1,250.00
4	FA8SD45L60	Free Address, Frame, 45D x 60W	3	\$1,797.00	\$5,391.00
5	FAFG1	Free Address, Ganging Bracket, Style 1	2	\$59.00	\$118.00
6	OB-TR30060-ST1-B29	Obair Multi-Purpose Table with Dual Base - True Rectangle 30x60" Straight Edge	2	\$2,854.00	\$5,708.00
				<b>Quote Total:</b>	<b>\$51,353.00</b>