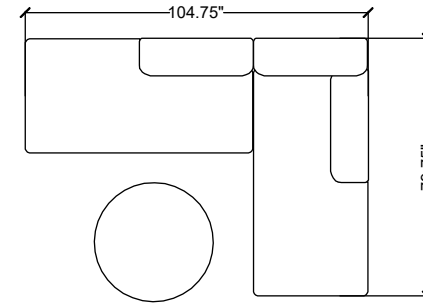


# stylex

YOOM 01



Materials priced in Grade B Fabric. This specification is for budget purposes and reflects list pricing.



YOOM 01

LINE	PART NUMBER	PART DESCRIPTION	QTY	LIST	EXT. LIST
1	DA1SFGR	Dia Coffee Table, 36D x 14.5H, Glass	1	\$2,416.00	\$2,416.00
2	YM616	Yoom Boxed Soft, Chaise Right	1	\$4,708.00	\$4,708.00
3	YM617	Yoom Boxed Soft, Chaise Left	1	\$4,708.00	\$4,708.00
4	YM631	Yoom Boxed Soft, Single Back/High Arm	3	\$1,471.00	\$4,413.00
				<b>Quote Total:</b>	<b>\$16,245.00</b>