

Tools & Equipment Required

Safety Glasses
#2 Phillips Screwdriver, 6" length
Wire Ties

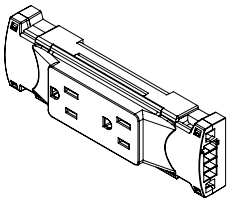
General Information

All components should be installed with the "4-TRAC" logo facing upright.

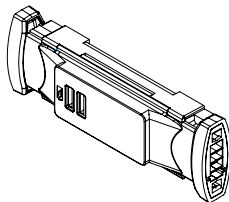
Power components needs to be installed **after** all screens in the layout are fully assembled and adjusted, **before** installing Baseboards, End Covers, and End Caps.

Parts & Sub-Assemblies

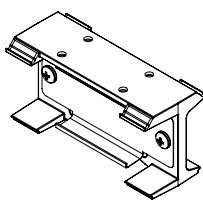
Receptacle Duplex



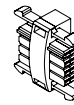
Receptacle USB



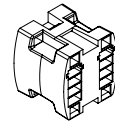
Receptacle Bracket



Receptacle Connector



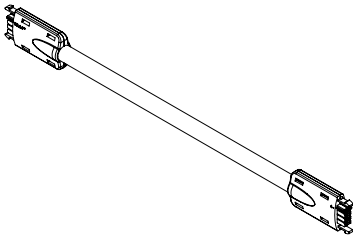
H-Connector



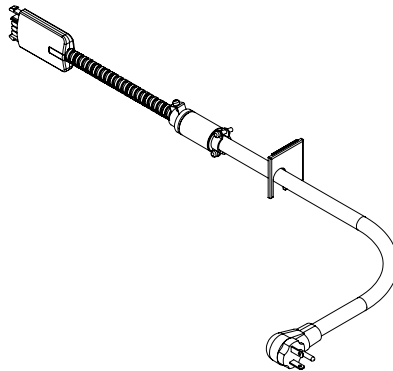
Hanger



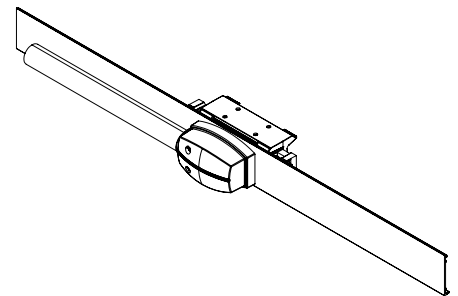
Jumper



Corded (End) Infeed Sub-Assembly



Hardwired (Side) Infeed Sub-Assembly



Hardware

HW1
#8-16 Thread
Phillips #2 Pan Head
Thread Forming Screw for Plastic



HW2
#6-19 Thread
Phillips #2 Round Head
Thread Forming Screw for Plastic



H5
#10-32 Thread x 7/16"
Phillips Pan Head



Tools Required

Safety glasses
Wire Ties

Parts Required

Receptacle
Jumpers
Receptacle Bracket (Pre-Installed)
Receptacle Connector
H-Connector
Hanger (Pre-Installed)

General Information

All components should be installed with the "4-TRAC" logo facing upright.

Power components needs to be installed **after** all screens in the layout are fully assembled and adjusted, **before** installing Baseboards, End Covers, and End Caps.

Assembly Steps for Receptacle, Jumper, and Split Installation

Receptacles (Image A)

1. Snap Receptacles into the Receptacle Bracket

Splits Without a Receptacle (Image C)

1. When a split is located in a screen without a receptacle, install an H-Connector on a baseboard Hanger by looping a wire tie through the hanger and wrapping around the center of the H-Connector.

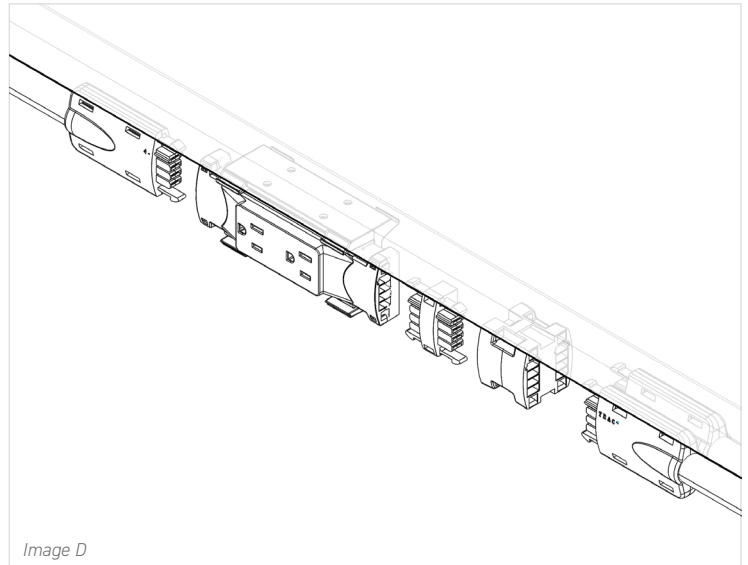
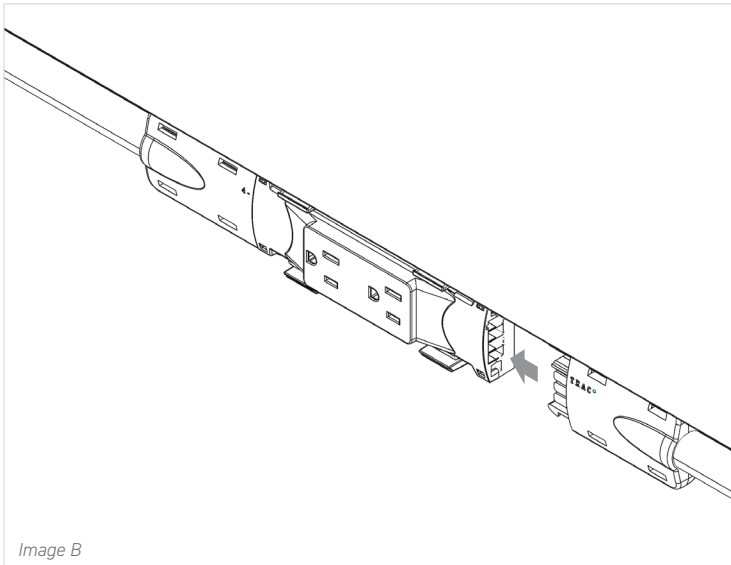
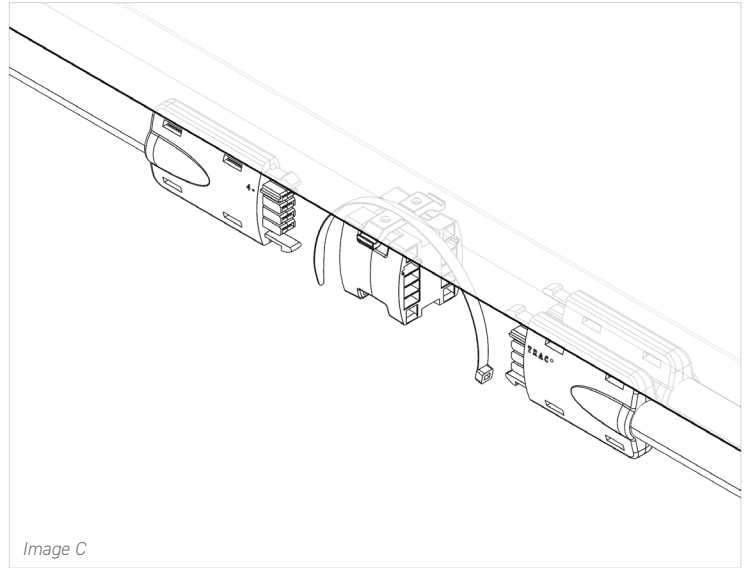
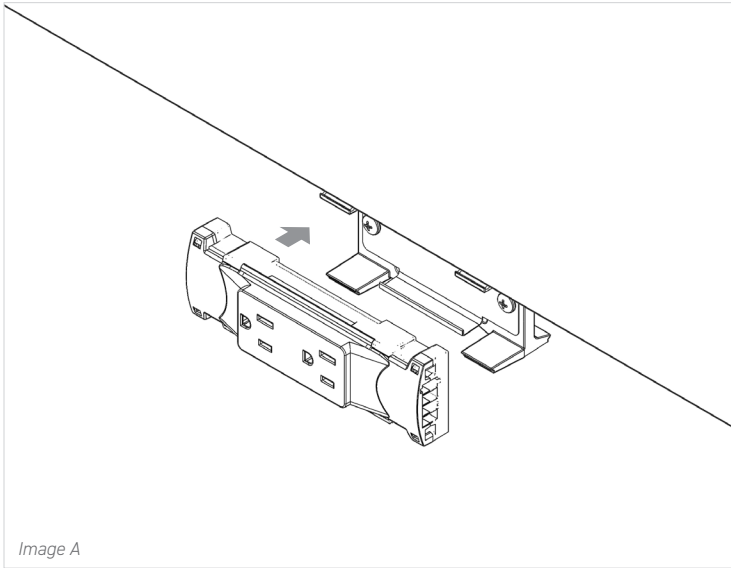
Splits With a Receptacle (Image D)

1. Connect a Receptacle Connector to the Receptacle in the direction of the split.
2. Connect an H-Connector to the Receptacle Connector.

Jumpers (Images B, C, D & following page E, F, G)

1. Connect Receptacles and splits using jumpers. **Take care to use the correct jumper length for each location in the layout.** (Images B, C, and D)
2. Use wire ties through the small holes in Base Connectors to attach jumpers (following page Image E).
3. Route jumpers through corners and use wire ties to attach to corner glides (following page Image G).
4. When routing through a screen without power, jumpers may be wire tied to holes in receptacle brackets (following page Image F).

Do not fully tighten or clip wire ties until the power system is complete and the baseboards have been test-fit.



Still Screens

Power Assembly Instructions
Receptacles / Jumpers / Splits

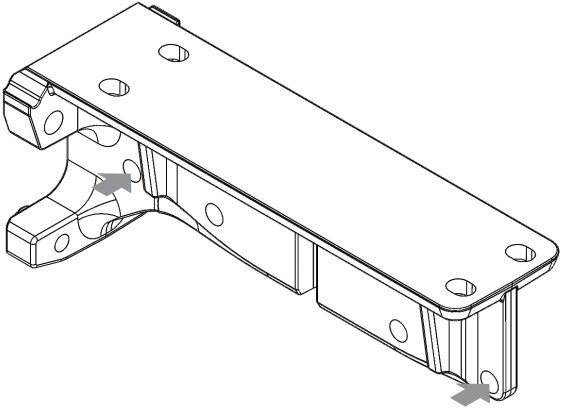


Image E

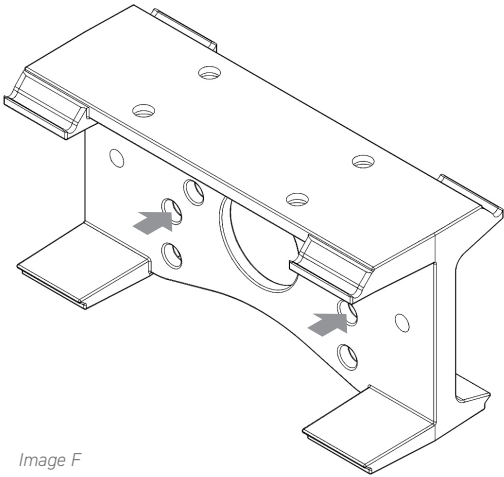


Image F

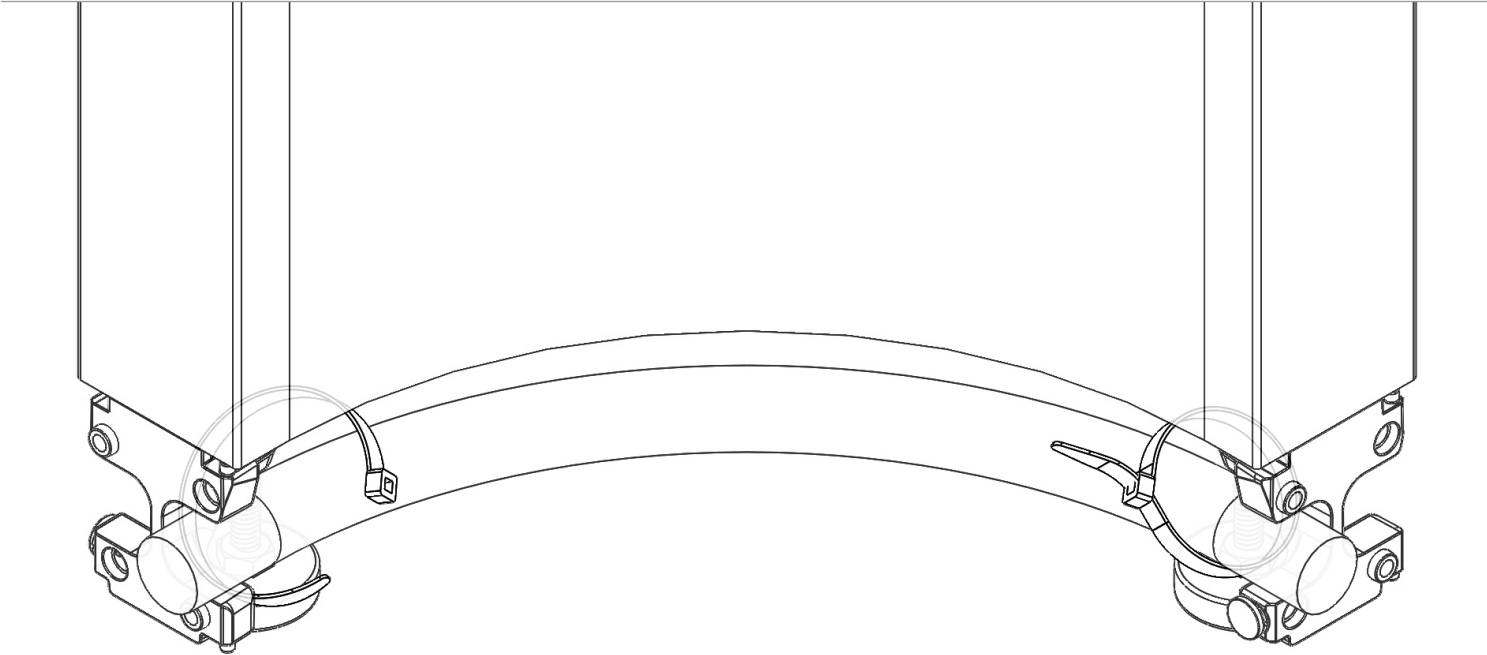


Image G

Still Screens

Power Assembly Instructions
Corded Infeed

Tools Required

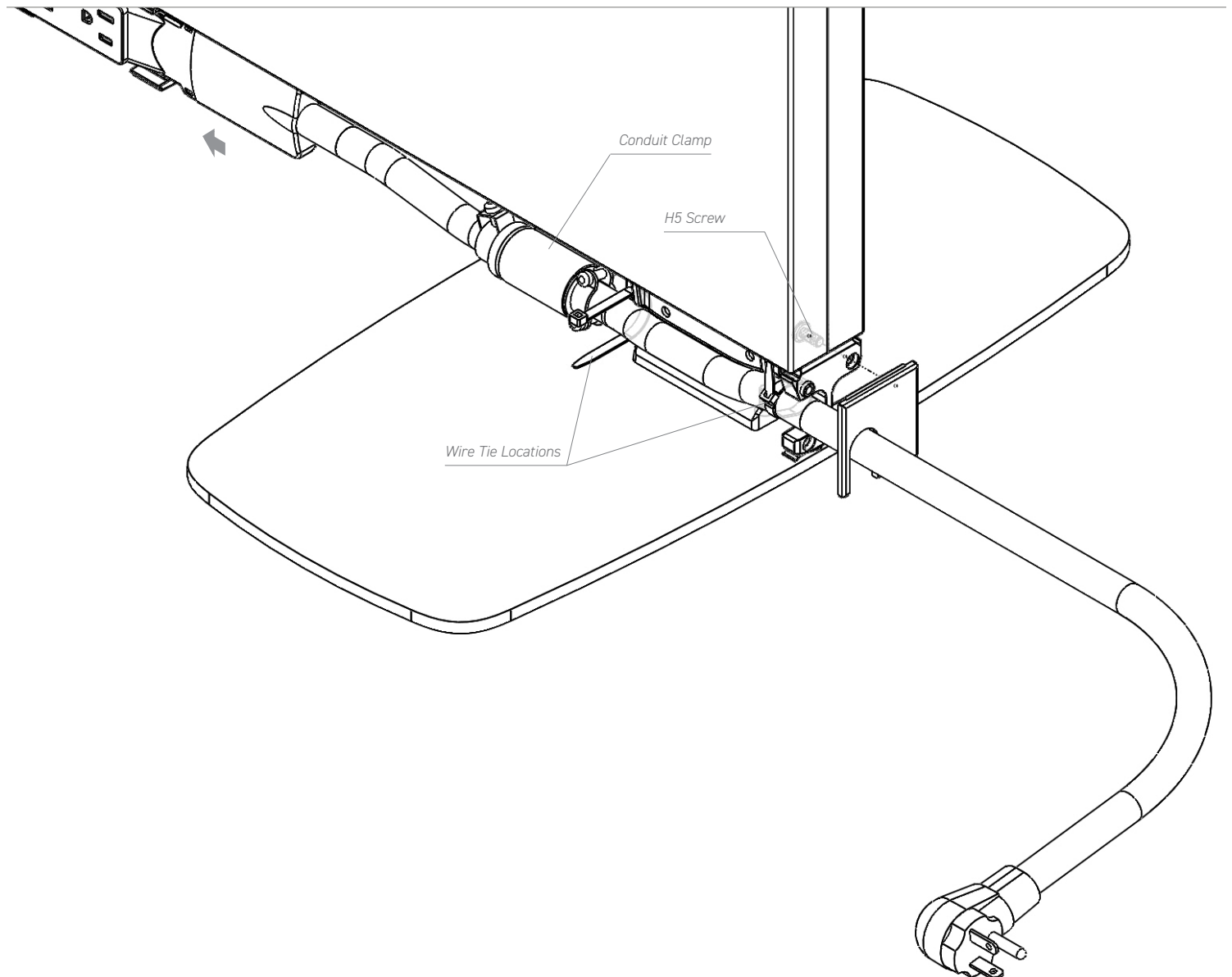
Safety glasses
Wire Ties
#2 Phillips Screwdriver, 6" length

Parts Required

Corded (End) Infeed Sub-Assembly
3-Pronged Jumper
Conduit Clamp
Baseboard End-Cover (or Endcap Screen) with Infeed Cutout
H5 #10-32 Thread x 7/16" Phillips Pan Head

Corded (End) Infeed Assembly and Installation

1. Connect the Corded Infeed to the indicated receptacle.
2. Route the conduit to the end of the layout.
3. Position the Conduit Clamp inboard of the Base Connector (see Image A callout where the cord meets conduit).
4. Wire tie the cord to the Base Connector. **Do not fully tighten or clip wire ties until the power system is complete and the baseboards have been test-fit.**
5. Install a Baseboard End-Cover or an Endcap Screen with an H5 Screw.



Still Screens

Power Assembly Instructions
Hardwired Infeed

Tools Required

Safety glasses
#2 Phillips Screwdriver, 6" length

Parts Required

Hardwired (Side) Infeed Sub-Assembly
Hardwire Body Receptacle
Pivot Block x2
Conduit with Clip
Baseboard Cover with Receptacle Cutout
Hardwire Cover
HW1 #8-16 Thread Phillips #2 Pan Head Thread Forming Screw for Plastic x4
HW2 #6-19 Thread Phillips #2 Round Head Thread Forming Screw for Plastic x2

Hardwired (Side) Infeed Assembly and Installation

1. Remove the two Pivot Blocks from the Hardwire Body Receptacle by removing the 4 HW1 screws and sliding the Pivot Blocks apart. (See Image A)
2. Clip the Hardwire Body Receptacle into the indicated screens Receptacle Bracket. (See Image B)
3. Connect the Baseboard Cover that includes a Receptacle Cutout by:
 - a. Hook the top of the baseboard onto the Base Connectors and Baseboard Hangers. (Image D)
 - b. Rotate downward until the clips hold in place. (Image D)
 - c. Spring clip may be adjusted by slightly bending. Bend the clip upward to allow the baseboard to rotate into place or downward to increase the holding force on the baseboard. (Image E)
4. Continue onto next page.

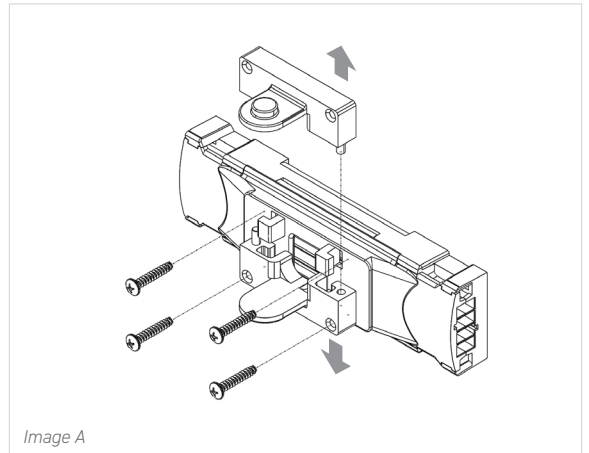


Image A

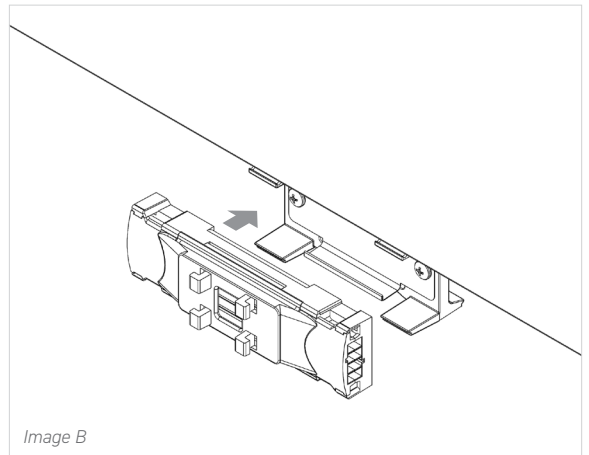


Image B

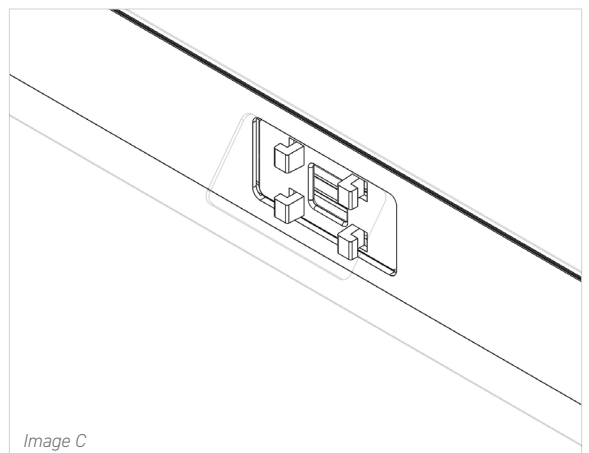


Image C

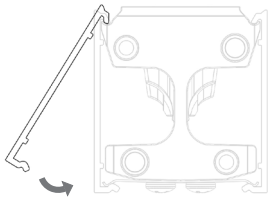


Image D

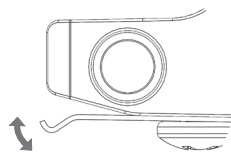


Image E

Tools Required

Safety glasses
#2 Phillips Screwdriver, 6" length

Parts Required

Hardwired (Side) Infeed Sub-Assembly
Hardwire Body Receptacle
Pivot Block x2
Conduit with Clip
Baseboard Cover with Receptacle Cutout
Hardwire Cover
HW1 #8-16 Thread Phillips #2 Pan Head Thread Forming Screw for Plastic x4
HW2 #6-19 Thread Phillips #2 Round Head Thread Forming Screw for Plastic x2

Hardwired (Side) Infeed Assembly and Installation

5. Slide both Pivot Blocks back onto the Receptacle Body. (Image F)
6. Fasten 2 HW1 screws through on one side. If the Hardwire Conduit is to be routed to the **left**, fasten the screws on the **right**. If the Hardwire Conduit is to be routed to the **right**, fasten the screws on the **left**. (Reference Image F and G).
7. Clip the Hardwired Conduit onto the Pivot Bodies. (Image G)
8. Turn Hardwired Conduit in the desired direction, and fasten the remaining 2 HW1 screws through the indicated holes. (Image G)
9. Connect the Hardwire Cover by fastening 2 HW2 screws through the entire assembly, in the indicated holes. (Image H)

