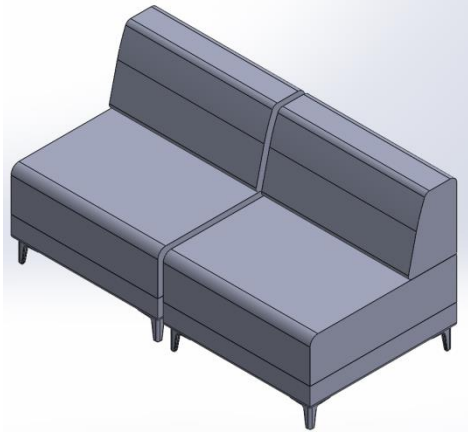


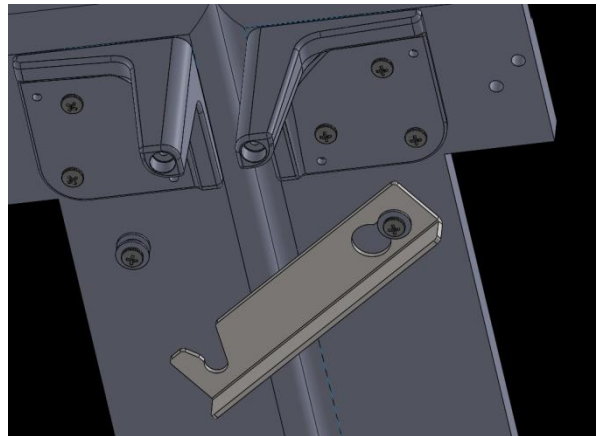
STYLEX

SHARE SEAT GANGING INSTRUCTIONS

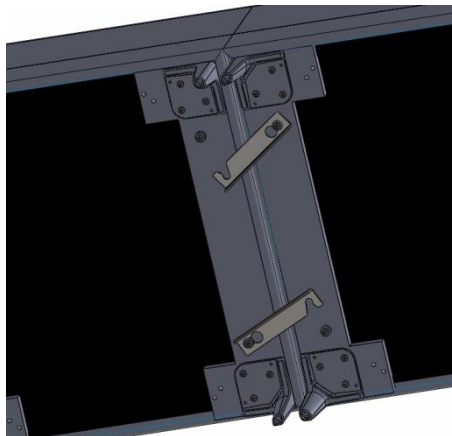
Step 1: Place chairs next to each other.



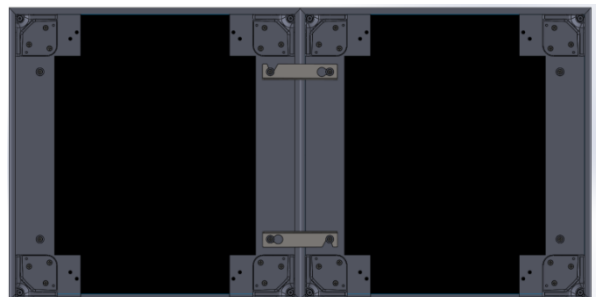
Step 2: With chairs lined up, facing the front of the chair, place one (1) bracket on right chair. Locate the ganging connection screw to the rear of the chair leg. Connect the ganging bracket to the ganging connection screw using the bracket key hole feature.



Step 3: To install the second bracket, repeat Step 2 while facing the rear of the chair.



Step 4: Pull bracket to lock into opposing chair. Squeezing the legs together may make locking easier.



Removal is reverse of installation.
Small hammer may be required.

STYLEX

800.257.5742 T

856.461.5574 F

www.stylexseating.com

Rev. 12/13/2013