

stylex

Cove Tables

PRICE LIST

Effective November 01, 2024

General Information

STYLEX PRICE LIST

GENERAL INFORMATION

Terms

Net 30 days from date of invoice,
F. O. B . Delanco, New Jersey.

Damaged Shipments

All Stylex products are carefully inspected before they are packed in sturdy cartons designed to satisfy shipping requirements. Stylex is not responsible for damage in shipment. The transportation company assumes responsibility for delivering products to you in good condition when the bill of lading is signed. You protect yourself by refusing shipments showing damage or shortage until transportation company has noted on the delivery sheet the extent of damage or shortage. Concealed damage should be reported to the carrier as soon as discovered, but no later than 5 days after receiving shipment.

Return/Restocking Policy

Return shipments will not be accepted unless specifically authorized by Stylex in writing. The Return Authorization number should be clearly marked on the carton. The customer returning Stylex products is responsible for return shipping costs. Merchandise must be returned unused. Returned merchandise is subject to a 35% restocking fee.

Special Products

Modifications to standard products will be considered for large runs. Contact factory for price quotations.

Design Changes

In keeping with modern manufacturing advances, Stylex reserves the right to incorporate minor modifications and design changes in products without notice.

Cancellation/Change Order Policy

Regarding requests for order cancellation and/or order modification, please be advised that no charges will be applied before production, unless inventory has been specifically requisitioned to fulfill your order. Once orders proceed to the production phase, they cannot be altered or canceled under any circumstances. All requests for order cancellations or order changes must be submitted in writing and will only be considered valid upon approval by Stylex.

WARRANTY

Except as provided below, Stylex warrants exclusively to the original Purchaser of our product that all parts, under normal use and service, will be free from defects in workmanship and material for a period of ten (10) years from the date of purchase. "Normal use and service" means that the product will be used in a typical office environment for 40-45 hours per week.

This warranty is subject to the following limitations, exclusions and provisions:

Limitations involving materials and components:

Wood components of plywood stacking chairs
(such as Brooks and Welcome)
5 years

Upholstery

(including mesh used for Click, F4, Insight, and Zephyr Mesh)
3 years

SAVA Mesh

10 years

Pneumatic Cylinders

3 years

COM Upholstery

No warranty
Stylex makes every effort to ensure that the COM Upholstery it approves is suitable for the intended use. Nevertheless, we will not warrant, and assume no responsibility for, the durability or tailoring quality of any COM or COL . If you have any concerns about the ultimate appearance of any covering, please order an upholstered sample.

Painted Stack Chair Frames

No Warranty
We will not warrant the finish of painted stack chair frames against damage from stacking. Please order chrome frames for chairs that will be stacked.

Felt Glides

No warranty
Due to the different surfaces on which felt glides may be used, we cannot warrant their durability over time.

If this product fails during normal use and service within the applicable warranty period (other than through normal wear and tear), please submit a warranty claim at stylexdesign.com/warranty-claim/. Quantity, model details, description of issue, and Stylex certified labels are required for submission. PLEASE DO NOT RETURN PARTS OR THE PRODUCT TO STYLEX UNLESS INSTRUCTED TO DO SO BY STYLEX. Stylex will, at its discretion, either repair or replace the defective product or part at no cost. Labor requests must receive approval and will be authorized on a case-by-case basis. We will only reimburse for labor costs directly incurred, excluding any travel-related expenses. Purchaser may be required (at the option of Stylex) to return to Stylex at Purchaser's expense any defective part with all freight or shipping charges prepaid. The foregoing warranty shall be void if the product has been altered or repaired (other than by Stylex). The warranty does not cover damage to the product caused by accident, neglect, misuse, abuse, modification to the product by anyone other than Stylex or damage caused by use of the product for a purpose other than that for which it was designed. This warranty extends only to the original Purchaser of the product.

No Other Warranties

This warranty is in lieu of all other warranties, expressed or implied, including, but not limited to, implied warranties of merchantability and fitness for a particular purpose. The rights and remedies provided herein are the exclusive rights and remedies of the original purchaser of the product.

No Liability For Damages

In no event shall Stylex or its suppliers be responsible or liable for any special, indirect, consequential, or incidental damages. In no event shall the liability of Stylex exceed the actual purchase price paid to Stylex for the product.

Out of Warranty Products

For all products no longer covered by our warranty, please refer to our Design for Durability and Upgradability Policy. Contact your Account Manager if you would like to purchase any replaceable components to further extend the life of any Stylex seating product. This warranty applies to all Stylex products purchased on April 13, 2018, and thereafter.

PRODUCT TAKE BACK PROGRAM

In order to be good stewards of our products, Stylex offers a pathway towards a Product Take Back Program as a more viable solution to the end of our products' originally intended life.

Stylex supports the sustainable programs of ANEW and offers their added value to our clients through a comprehensive take-back solution for surplus office furniture and materials of any kind, in any condition. ANEW is a 501(c)(3) non-profit organization that exists to provide companies with smart, cost effective alternatives for their surplus furniture and other items with the priority of matching it to non- profits, public agencies and the underserved, within the local community of the project site. Corporate Social Responsibility is raised while the impact on the environment is lowered by diverting products and materials otherwise destined for landfill.

Stylex is proud to offer ANEW to customers dedicated to strengthening their community network by repurposing their furniture, fixtures and architectural materials to those in need. In 2014, Stylex committed to making this relationship a part of our strategic sales strategy. Visit www.anewfound.org to find out more.

To initiate a Product Take Back strategy through ANEW, contact Stylex Account Management at 800-257-5742.

For other end of life recovery options, please see our Product Disassembly Instructions and End of Life Recovery Options documents available on our website in the resources section of each product in our line.

FREIGHT PROGRAM

Freight charges will be calculated as a percentage of the net product price and added to the invoice at the time of shipment. The continental United States has been divided into three zones. Please use the map below to determine freight charges for the product's destination. Minimum freight charge is \$250. Please let us know if you will be shipping to a residential address or require inside delivery as this requires an additional fee. Also please note we need to be made aware if a liftgate is required prior to delivery. If any requests are made at the time of delivery, applicable charges will apply.



ZONE 1 - 4%

Connecticut
Delaware
New York
New Jersey
Maryland
Massachusetts
North Carolina
Ohio
Pennsylvania
Rhode Island
Virginia
Washington D.C.
West Virginia

ZONE 2 - 5%

Alabama
Arkansas
Canada, Ontario
Canada, Quebec
Florida
Georgia
Iowa
Illinois
Indiana
Kansas
Kentucky
Louisiana
Nebraska
New Hampshire
Oklahoma
Maine
Michigan
Minnesota
Missouri
Mississippi
South Carolina
Tennessee
Texas
Vermont
Wisconsin

ZONE 3 - 6%

Arizona
California
Colorado
Idaho
Montana
Nevada
New Mexico
North Dakota
Oregon
South Dakota
Utah
Washington
Wyoming

Quote Per Project

Alaska
Hawaii
Canada
(outside Ontario & Quebec)
Mexico

General Information

STYLEX PRICE LIST

TEXTILE PARTNERS & APPROVALS

Textile Partners

To customize your furniture performance needs and design vision, Stylex offers a wide selection of in-graded leathers and textiles from Grades A through Y. We've partnered with leading manufacturers on the options, focusing on color, price, durability, and construction. To view our partners and explore our digital carded program with broadly approved textiles, visit [this page](#). We stand by these textiles: They're tried and tested, and will effortlessly fit into any design aesthetic.

Textile Approvals

All textiles must be approved for the product you are specifying. For the related approved textile lists, visit [this page](#).

CAL 117 AND 133 COMPLIANCE

CAL 117-2013

CAL 117-2013 compliance is a requirement for all textiles applied on our seating products. All Stylex seating products meet this standard.

CAL 133

Most Stylex seating can be ordered to meet the requirements of CAL 133. When ordering, simply specify "CAL 133 compliance required". The upcharge for this option is \$54 list per yard. Please refer to the COM yardage of each model to determine the number of yards required. We do frequently require full-scale burn tests in order to certify CAL 133 before an order will be accepted. Such burn tests may increase normal lead times and do carry additional charges. Please contact your Stylex account manager for details.

CUSTOMER'S OWN MATERIAL/LEATHER

Customer's own material (COM) and customer's own leather (COL) will generally be upholstered at the price designated in each product's price list. Please be advised, however, that we specifically reserve the right to charge a higher price when we determine that special circumstances, such as unusual repeats or challenging materials, present themselves. All orders for custom coverings must be approved by Stylex before they will be accepted for production. To submit proposed textile for approval, please use the COM form [here](#).

Special Note:

We assume no responsibility for the durability or tailoring quality of any COM or COL. Directional covers in particular may not meet your satisfaction due to the design of certain products. Please be advised that COM and COL orders are not subject to return. If you have doubts about the ultimate appearance of certain coverings, please order a sample done with that specific COM or COL. In addition, while we inspect fabrics for mill imperfections, some are difficult to recognize. We cannot be responsible for defects, color inaccuracies, dye lot variations, or other flaws.

Under no circumstances will we be responsible for COM shortages, flaws, or other such problems. Finally, it is not our responsibility to police the receipt of COM's in order to meet delivery deadlines, and we assume our customers are aware of any undue delay in the shipment of their COM fabrics.

COM fabric and COL leather should be sent prepaid to: Stylex

**Attn: COM/COL - [Your Stylex PO #]
740 Coopertown Road
Delanco, NJ 08075**

All COM/COL sent to Stylex must be accompanied with a packing list which indicates the dealers' name, Stylex corresponding PO number, sales order number, COM/COL supplier name, textile pattern, colorway and shipped quantity. Stylex requires COM to be sent in as continuous yardage in the same dielot.

Yardage requirements shown in the price list are based on non-directional goods of 54" width. Fabrics less than 54" wide or those requiring matching (stripes, prints, or large patterned designs) call for additional yardage. We will be happy to supply yardage requirements for large quantities where economies may be realized.

Add the following yardage for stripes, plaids, or patterns with repeats:

Fabric Width	Plain Fabric	2-14" Repeat	15-24" Repeat	25-27" Repeat	28-36" Repeat
54"	0%	10%	15%	20%	25%
50"	10%	20%	25%	30%	35%
48"	15%	25%	30%	35%	40%
45"	40%	50%	55%	60%	65%
36"	50%	60%	65%	70%	75%

COM/COL FORM

To avoid delay in processing COM orders we request that you submit a sample of your COM textile stapled to this form which can be downloaded [here](#). If a textile has a stripe or design, the size of the repeat should be indicated. Please indicate the textile supplier's name, textile number, and color. Also indicate the Stylex product on which the textile will be used. If a certain direction of application is required, please ensure that information is communicated directly to your Stylex account manager.

The fabric supplier must indicate on his shipping labels the dealer name and purchase order number as well as the Stylex model number.

Please Note:

No order may be entered into production or have a shipping date assigned until all related COM is received at the factory.



CENTER OF STRIPE OR DESIGN

TOP OF CHAIR	TOP OF CHAIR
--------------	--------------

1. Size of Repeat

2. Textile Supplier

3. Textile Number

4. Color

5. Stylex Product

Cove Tables

Contents

COLORS, MATERIALS, AND FINISHES	5
STATEMENT OF LINE	6
POWER OPTIONS	7
HOW TO ORDER	8

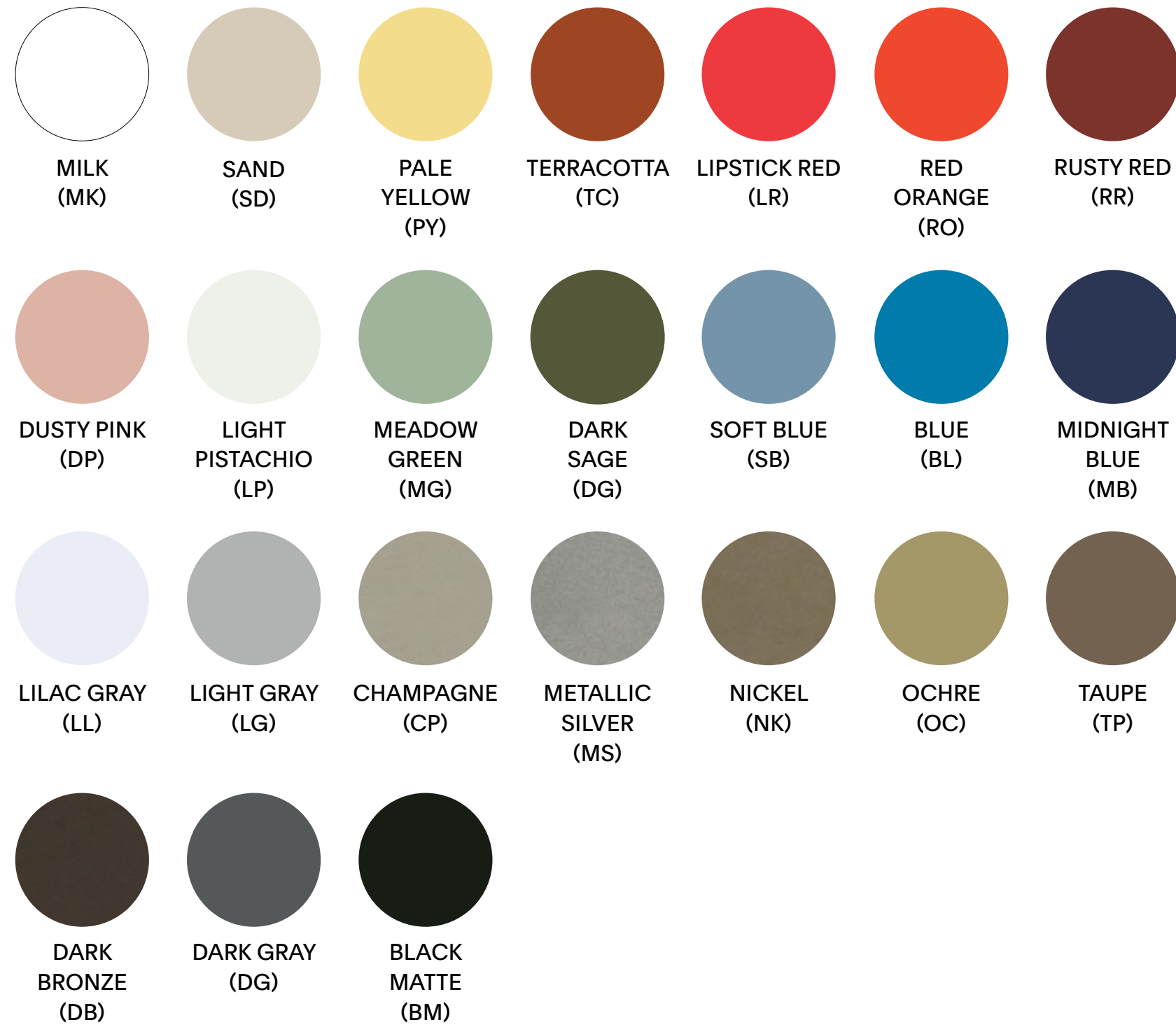
OCCASIONAL TABLE	9
MULTI-PURPOSE TABLE	14
COUNTER/BAR TABLE	21

CLICK THE TITLES ABOVE TO NAVIGATE THROUGH THE DOCUMENT
PRODUCT HEADERS ON SUBSEQUENT PAGES LINK BACK TO THIS PAGE

Cove Tables

COLORS, MATERIALS, AND FINISHES

POWDER COATED METAL FINISHES



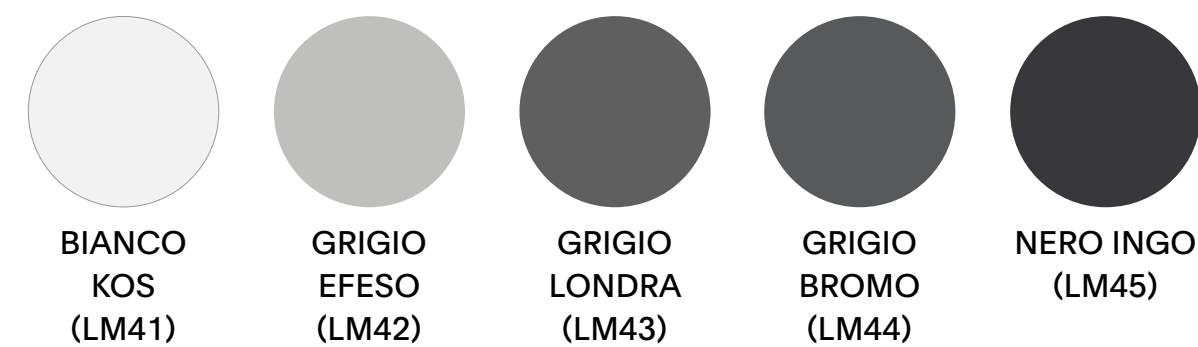
GRADE 1 LAMINATE FINISHES



GRADE 1 WOOD VENEER FINISHES

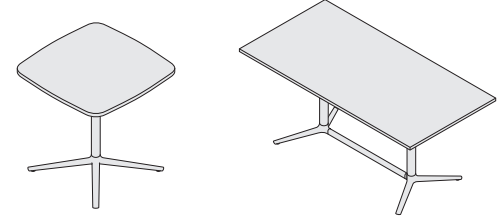
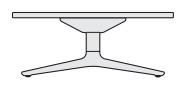

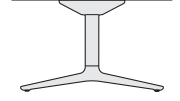

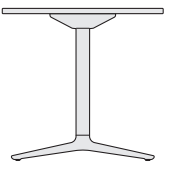
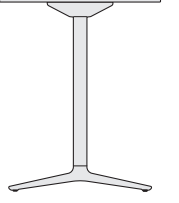
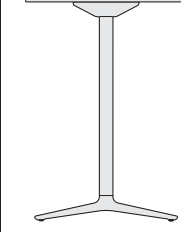


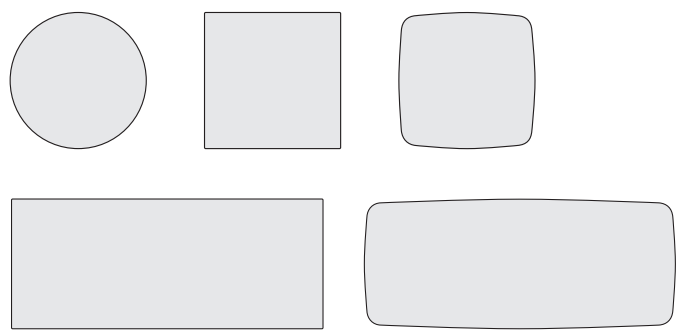
GRADE 2 LAMINATE FINISHES





Cove Tables

SPECIFICATION GUIDE: STATEMENT OF LINE

BASES	OCCASIONAL			MULTI-PURPOSE		COUNTER/BAR	
Table Heights For Single and Dual Bases 	Low Coffee 12" Height 	Coffee 15" Height 	End 18" Height 	Work 26" Height 	Dining 28.5" Height 	Counter 36" Height 	Bar 42" Height 

TOPS	ROUND TOPS		RECTANGLE TOPS			
Top Shapes/Sizes Round True Rectangle Soft Rectangle 	For Single Bases 30" 36"	Base Size S L	For Single Bases 24" x 30" 27" x 27" 30" x 30" 36" x 36"	Base Size S S L L	For Dual Bases* 30" x 48" (Multi-Purpose Only) 30" x 56" 30" x 60" 30" x 72" 30" x 84" 30" x 96" 30" x 108" 36" x 56" 36" x 60" 36" x 72" 36" x 84" 36" x 96" 36" x 108" 42" x 56" 42" x 60" 42" x 72" 42" x 84" 42" x 96" 42" x 108"	* Dual Base Occasional Tables are not offered in 84", 96" and 108" lengths. There is only one size base for all dual base tables.

Edge Details	Edge Details	
Available on all Top Shapes	Straight Edge1 	Reverse Bevel 2 

PRODUCT INFORMATION

Design
Stylex Design Team

Bases
Cove bases are comprised of a top mounting plate, column, and base. Base Sizes are small, large, or dual. Bases are available in Stylex's standard powder coat metal finishes. Bases can be flat packed or assembled for an additional charge.

Glides
Bases feature adjustable leveling glides, available in both hard and soft plastic. Hard plastic glides are recommended for carpet and soft plastic for flooring. Please be advised, sliding tables on hard surface flooring will result in scuffing or damage.

Cable Management
All bases with power offer cable management - See [page 7](#).

Top Edge Banding
Edge Banding is determined by top material finish.
Laminate Grade 1: 2mm PVC Edgeband
Laminate Grade 2: 1mm ABS Edgeband
Wood Veneer: 3mm Wood Veneer Edgeband

Reverse Bevel Surface Finish is determined by top material and finish. Laminate is sealed with a coordinating finish.
Wood Veneer "Natural" Finishes are clear sealed MDF. Non-"Natural" Finishes are stained and sealed to coordinate with veneer finish.

Custom Top Finishes
Non-standard laminates (LM99) will be quoted per color. Please contact Stylex customer service with the manufacturer's name and laminate color reference number.

For non-standard wood veneer (WV99), two 4" x 4" samples are required with, or before, order placement for each custom stain. A custom color match fee of \$468.00 will apply per color. Please contact customer service for details.


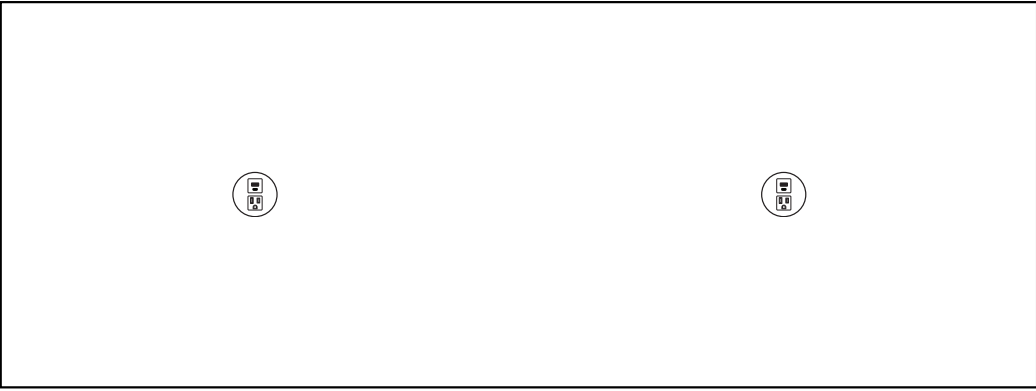
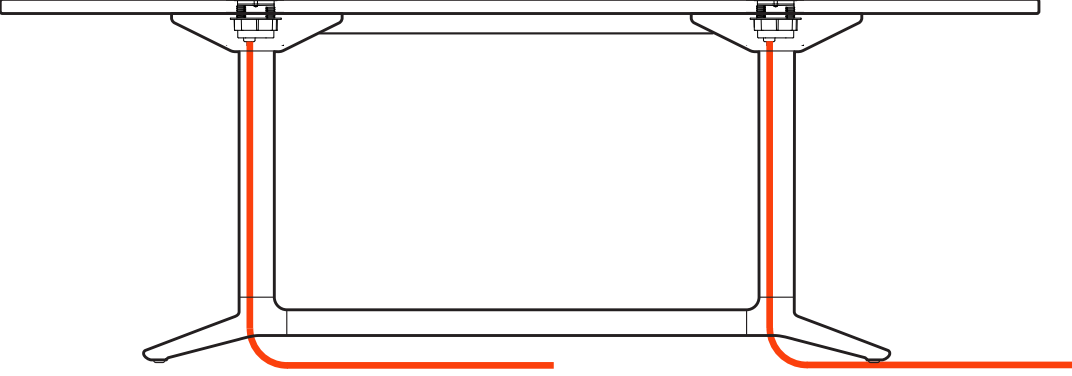
Use
Designed for indoor use only.

Performance Standards
Manufactured to comply with:
ANSI/BIFMA X5.5 Desk and Table Products

Certifications
Greenguard Gold - Laminate
Greenguard - Wood Veneer
LEVEL® 2

Cove Tables

SPECIFICATION GUIDE: POWER OPTIONS

		CABLE LENGTH	MODEL	LIST PRICE	POSITIONS	PRODUCT INFORMATION
Surface Mount Byrne Node Power Port 	1 grounded AC outlet / 1 USB-C / 1 USB-A Powder coated cover plate Prop 65 Compliant Colors: Black, White	10 ft. Cord	S1	+534	<div style="display: flex; justify-content: space-around;"> <div style="text-align: center;"> Position 1  </div> <div style="text-align: center;"> Position 2  </div> </div>	Surface mount power is only available for Dual Base tables. Power units are directly installed above the column. Cords are threaded through the column during set up and pass through an open area beneath the base. The power model number is added to the end of the table top model number.
		10 ft. Hardwire Whip	SHW1	+694		
		20 ft. Cord	S2	+569		

To Order Select Below

1. Mount/Power Port Type

○ Mount

● Mount

S SURFACE

○ Power Port

● Power Port

1	BYRNE NODE SURFACE MOUNT WITH PLUG	10FT CORD	+534
HW1	BYRNE NODE SURFACE MOUNT WITH HARD WIRE	10FT HARDWIRE WHIP	+694
2	BYRNE NODE SURFACE MOUNT WITH PLUG	20FT CORD	+569

3. Color

○ Color

● Color

B BLACK

W WHITE

4. Power Position

○ Power Position

● Power Position

1 POWER POSITION 1

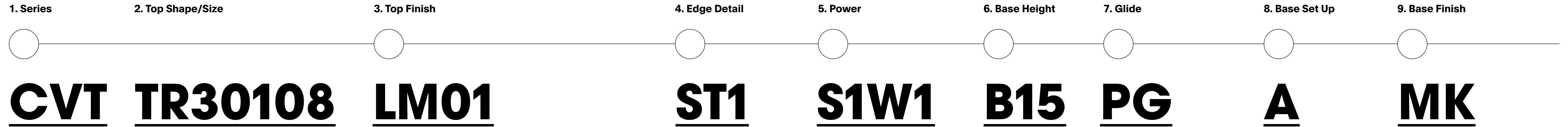
2 POWER POSITION 2

Cove Tables

SPECIFICATION GUIDE: HOW TO ORDER

MODEL CODE BREAKDOWN

Sample Model Code: CVTTR30108LM01ST1S1W1B15PGAMK

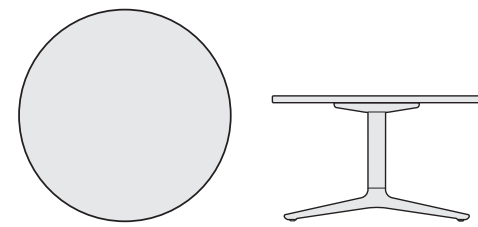


Series	Top Shape	Top Size	Top Finish	Veneer Grade 1	Top Edge Detail	Power	Base Height	Glide	Base Set Up	Standard Powder Coated Metal
CVT COVE TABLES	RD ROUND TR TRUE RECTANGLE SR SOFT RECTANGLE	30000 30" 36000 36" 24030 24" x 30" 27027 27" x 27" 30030 30" x 30" 36036 36" x 36" 30048 30" x 48" 30056 30" x 56" 30060 30" x 60" 30072 30" x 72" 30084 30" x 84" 30096 30" x 96" 30108 30" x 108" 36056 36" x 56" 36060 36" x 60" 36072 36" x 72" 36084 36" x 84" 36096 36" x 96" 36108 36" x 108" 42056 42" x 56" 42060 42" x 60" 42072 42" x 72" 42084 42" x 84" 42096 42" x 96" 42108 42" x 108"	LM01 DESIGNER WHITE LM02 ALABASTER LM03 WALLABY LM04 SHADOW LM05 DOVE GREY LM06 FASHION GREY LM07 SLATE GREY LM08 NORTH SEA LM09 BLACK LM10 FUSION MAPLE LM11 MONTICELLO MAPLE LM12 RIVER CHERRY LM13 AMBER CHERRY LM14 WALNUT HEIGHTS LM15 MONTANA WALNUT LM16 XANADU LM17 ASIAN NIGHT LM 18 CASTLE OAK	WV01 LIGHT GREY WV02 WARM GREY WV03 OPAQUE BLACK WV04 MEDIUM CHERRY WV05 TONED ASH WV06 NATURAL MAPLE WV41 TONED RECON WALNUT WV42 DARK TONED OAK WV43 TONED WENGE WV44 TONED OAK WV45 TONED RECON OAK WV46 NATURAL FLAT CUT WALNUT WV47 NATURAL RIFT CUT WALNUT WV48 NATURAL WHITE OAK WV49 NATURAL RECON WHITE OAK	ST1 STRAIGHT EDGE 1 RB2 REVERSE BEVEL 2	S1 BYRNE NODE SURFACE MOUNT WITH PLUG AND 10FT CORD SHW1 BYRNE NODE SURFACE MOUNT WITH HARD WIRE AND 10FT WHIP S2 BYRNE NODE SURFACE MOUNT WITH PLUG AND 20FT CORD	B12 12" B15 15" B18 18" B26 26" B29 28.5" B36 36" B42 42"	PG PLASTIC, CARPET SG SOFT PLASTIC, FLOOR All glides are adjustable. Soft plastic glides are not designed for sliding tables.	F FLAT PACKED A ASSEMBLED	BL BLUE BM BLACK MATTE CP CHAMPAGNE DB DARK BRONZE DG DARK GRAY DP DUSTY PINK DS DARK SAGE LG LIGHT GRAY LL LILAC GRAY LP LIGHT PISTACHIO LR LIPSTICK RED MB MIDNIGHT BLUE MG MEADOW GREEN MK MILK MS METALLIC SILVER NK NICKEL OC OCHRE PY PALE YELLOW RO RED ORANGE RR RUSTY RED SB SOFT BLUE SD SAND TC TERRACOTTA TP TAUPE
			LM01 DESIGNER WHITE LM02 ALABASTER LM03 WALLABY LM04 SHADOW LM05 DOVE GREY LM06 FASHION GREY LM07 SLATE GREY LM08 NORTH SEA LM09 BLACK LM10 FUSION MAPLE LM11 MONTICELLO MAPLE LM12 RIVER CHERRY LM13 AMBER CHERRY LM14 WALNUT HEIGHTS LM15 MONTANA WALNUT LM16 XANADU LM17 ASIAN NIGHT LM 18 CASTLE OAK	WV01 LIGHT GREY WV02 WARM GREY WV03 OPAQUE BLACK WV04 MEDIUM CHERRY WV05 TONED ASH WV06 NATURAL MAPLE WV41 TONED RECON WALNUT WV42 DARK TONED OAK WV43 TONED WENGE WV44 TONED OAK WV45 TONED RECON OAK WV46 NATURAL FLAT CUT WALNUT WV47 NATURAL RIFT CUT WALNUT WV48 NATURAL WHITE OAK WV49 NATURAL RECON WHITE OAK	ST1 STRAIGHT EDGE 1 RB2 REVERSE BEVEL 2	S1 BYRNE NODE SURFACE MOUNT WITH PLUG AND 10FT CORD SHW1 BYRNE NODE SURFACE MOUNT WITH HARD WIRE AND 10FT WHIP S2 BYRNE NODE SURFACE MOUNT WITH PLUG AND 20FT CORD	B12 12" B15 15" B18 18" B26 26" B29 28.5" B36 36" B42 42"	PG PLASTIC, CARPET SG SOFT PLASTIC, FLOOR All glides are adjustable. Soft plastic glides are not designed for sliding tables.	F FLAT PACKED A ASSEMBLED	BL BLUE BM BLACK MATTE CP CHAMPAGNE DB DARK BRONZE DG DARK GRAY DP DUSTY PINK DS DARK SAGE LG LIGHT GRAY LL LILAC GRAY LP LIGHT PISTACHIO LR LIPSTICK RED MB MIDNIGHT BLUE MG MEADOW GREEN MK MILK MS METALLIC SILVER NK NICKEL OC OCHRE PY PALE YELLOW RO RED ORANGE RR RUSTY RED SB SOFT BLUE SD SAND TC TERRACOTTA TP TAUPE
			Laminate Grade 2 LM41 BIANCO KOS LM42 GRIGIO EFESO LM43 GRIGIO LONDRA LM44 GRIGIO BROMO LM45 NERO INGO	Custom Top Finish LM99 CUSTOM LAMINATE WV99 CUSTOM WOOD VENEER						

Cove Tables

OCCASIONAL TABLE: ROUND

TITLE	SERIES	SHAPE	TOP DIAMETER	Top Edge/Finish			REVERSE BEVEL			
				LM1	LM2	WV1	LM1	LM2	WV1	
Occasional Table Round Top Single Base	Height options: 12", 15", 18" Height adjustable glides Base ships flat packed or assembled	CVT	RD	30	1,232	1,861	1,963	1,939	2,154	2,286
				36	1,463	2,170	2,358	2,211	2,500	2,747



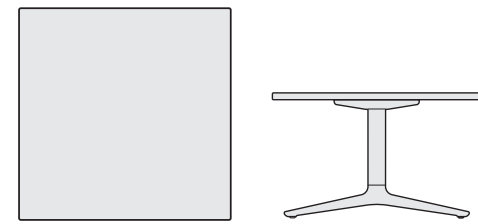
To Order Select Below

1. Series/Style	2. Top Size	3. Top Finish	4. Top Edge Detail	5. Power	6. Base Height	7. Glide	8. Base Set Up	9. Base Finish
<p>● Cove Table Round Top</p> <p>CVTRD</p>	<p>● Top Size</p> <p>30000 30 DIA. 36000 36 DIA.</p>	<p>● Laminate - Grade 1</p> <p>LM01 DESIGNER WHITE LM02 ALABASTER LM03 WALLABY LM05 DOVE GREY LM06 FASHION GREY LM04 SHADOW LM08 NORTH SEA LM07 SLATE GREY LM09 BLACK LM10 FUSION MAPLE LM11 MONTICELLO MAPLE LM12 RIVER CHERRY LM13 AMBER CHERRY LM14 WALNUT HEIGHTS LM15 MONTANA WALNUT LM16 XANADU LM17 ASIAN NIGHT LM18 CASTLE OAK</p> <p>● Laminate - Grade 2</p> <p>LM41 BIANCO KOS LM42 GRIGIO EFESO LM43 GRIGIO LONDRA LM44 GRIGIO BROMO LM45 NERO INGO</p> <p>● Wood Veneer - Grade 1</p> <p>WV05 TONED ASH WV06 NATURAL MAPLE WV49 NATURAL RECON WHITE OAK WV45 TONED RECON OAK WV44 TONED OAK WV48 NATURAL WHITE WV01 LIGHT GREY WV46 NATURAL FLAT CUT WALNUT WV47 NATURAL RIFT CUT WALNUT WV41 TONED RECON WALNUT WV04 MEDIUM CHERRY WV43 TONED WENGE WV02 WARM GREY WV42 DARK TONED OAK WV03 OPAQUE BLACK</p> <p>● Custom Finish</p> <p>LM99 CUSTOM LAMINATE WV99 CUSTOM WOOD</p> <p>See page 6 for custom laminate and custom wood details.</p>	<p>● Top Edge Detail</p> <p>ST1 STRAIGHT EDGE 1 RB2 REVERSE BEVEL 2</p> <p>ST1 </p> <p>RB2 </p> <p>Grade 1 laminate edge has a 2mm PVC edge. Grade 2 laminate has a 1mm ABS edge. Wood edge has a 1mm wood veneer edge.</p>	<p>● Power is unavailable as a standard option for Cove Tables with a single column.</p>	<p>● Base Height</p> <p>B12 12" B15 15" B18 18"</p> <p>Base size is automatically assigned during order entry.</p>	<p>● Glide</p> <p>PLASTIC, PG CARPET SOFT PLASTIC, SG FLOOR</p> <p>All glides are adjustable. Soft plastic glides are not designed for sliding tables.</p>	<p>● Base Set Up</p> <p>F PACKED A ASSEMBLED +71</p>	<p>● Standard Powder Coated Metal</p> <p>BL BLUE BM BLACK MATTE CP CHAMPAGNE DB DARK BRONZE DG DARK GRAY DP DUSTY PINK DS DARK SAGE LG LIGHT GRAY LL LILAC GRAY LP LIGHT PISTACHIO LR LIPSTICK RED MB MIDNIGHT BLUE</p> <p>MG MEADOW GREEN MK MILK MS METALLIC SILVER NK NICKEL OC OCHRE PY PALE YELLOW RO RED ORANGE RR RUSTY RED SB SOFT BLUE SD SAND TC TERRACOTTA TP TAUPE</p>

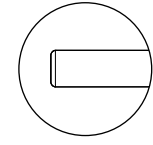
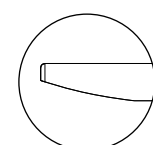
Cove Tables

OCCASIONAL TABLE: TRUE RECTANGLE

TITLE	SERIES	SHAPE	DEPTH	WIDTH	Top Edge/Finish			REVERSE BEVEL			
					LM1	LM2	WV1	LM1	LM2	WV1	
Occasional Table True Rectangle Top Single Base	Height options: 12", 15", 18" Height adjustable glides Base ships flat packed or assembled	CVT	TR	24	30	1,185	1,520	1,764	1,774	1,805	2,007
				27	27	1,186	1,824	1,808	1,778	2,104	2,007
				30	30	1,262	1,893	1,906	1,921	2,186	2,232
				36	36	1,483	2,433	2,294	2,203	2,760	2,684



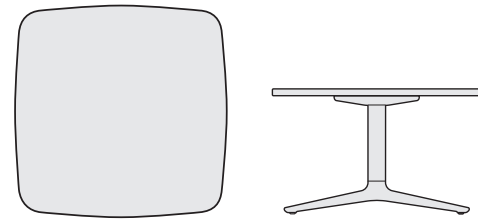
To Order Select Below

1. Series/Style	2. Top Size	3. Top Finish	4. Top Edge Detail	5. Power	6. Base Height	7. Glide	8. Base Set Up	9. Base Finish
<ul style="list-style-type: none"> CVTR Cove Table True Rectangle Top 	<ul style="list-style-type: none"> 24030 24W x 30L 27027 27W x 27L 30030 30W x 30L 36036 36W x 36L 	<ul style="list-style-type: none"> Laminate - Grade 1 LM01 DESIGNER WHITE LM02 ALABASTER LM03 WALLABY LM05 DOVE GREY LM06 FASHION GREY LM04 SHADOW LM08 NORTH SEA LM07 SLATE GREY LM09 BLACK LM10 FUSION MAPLE LM11 MONTICELLO MAPLE LM12 RIVER CHERRY LM13 AMBER CHERRY LM14 WALNUT HEIGHTS LM15 MONTANA WALNUT LM16 XANADU LM17 ASIAN NIGHT LM18 CASTLE OAK <ul style="list-style-type: none"> Laminate - Grade 2 LM41 BIANCO KOS LM42 GRIGIO EFESO LM43 GRIGIO LONDRA LM44 GRIGIO BROMO LM45 NERO INGO <ul style="list-style-type: none"> Wood Veneer - Grade 1 WV05 TONED ASH WV06 NATURAL MAPLE WV49 NATURAL RECON WHITE OAK WV45 TONED RECON OAK WV44 TONED OAK WV48 NATURAL WHITE WV01 LIGHT GREY WV46 NATURAL FLAT CUT WALNUT WV47 NATURAL RIFT CUT WALNUT WV41 TONED RECON WALNUT WV04 MEDIUM CHERRY WV43 TONED WENGE WV02 WARM GREY WV42 DARK TONED OAK WV03 OPAQUE BLACK <ul style="list-style-type: none"> Custom Finish LM99 CUSTOM LAMINATE WV99 CUSTOM WOOD <p>See page 6 for custom laminate and custom wood details.</p>	<ul style="list-style-type: none"> Top Edge Detail ST1 STRAIGHT EDGE 1 RB2 REVERSE BEVEL 2   <p>Grade 1 laminate edge has a 2mm PVC edge. Grade 2 laminate has a 1mm ABS edge. Wood edge has a 1mm wood veneer edge.</p>	<ul style="list-style-type: none"> Power is unavailable as a standard option for Cove Tables with a single column. 	<ul style="list-style-type: none"> Base Height B12 12" B15 15" B18 18" <p>Base size is automatically assigned during order entry.</p>	<ul style="list-style-type: none"> Glide PLASTIC, PG CARPET SOFT PLASTIC, SG FLOOR <p>All glides are adjustable. Soft plastic glides are not designed for sliding tables.</p>	<ul style="list-style-type: none"> Base Set Up F FLAT PACKED A ASSEMBLED +71 	<ul style="list-style-type: none"> Standard Powder Coated Metal BL BLUE BM BLACK MATTE CP CHAMPAGNE DB DARK BRONZE DG DARK GRAY DP DUSTY PINK DS DARK SAGE LG LIGHT GRAY LL LILAC GRAY LP LIGHT PISTACHIO LR LIPSTICK RED MB MIDNIGHT BLUE MG MEADOW GREEN MK MILK MS METALLIC SILVER NK NICKEL OC OCHRE PY PALE YELLOW RO RED ORANGE RR RUSTY RED SB SOFT BLUE SD SAND TC TERRACOTTA TP TAUPE

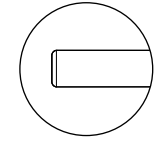
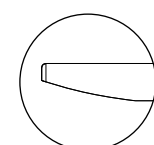
Cove Tables

OCCASIONAL TABLE: SOFT RECTANGLE

TITLE	SERIES	SHAPE	DEPTH	WIDTH	Top Edge/Finish			REVERSE BEVEL		
					LM1	LM2	WV1	LM1	LM2	WV1
Occasional Table Soft Rectangle Top Single Base Height options: 12", 15", 18" Height adjustable glides Base ships flat packed or assembled	CVT	SR	24	30	1,203	1,499	1,838	1,774	1,805	2,034
			27	27	1,206	1,793	1,735	1,778	2,104	2,034
			30	30	1,282	1,851	2,043	1,907	2,176	2,251
			36	36	1,505	2,391	2,358	2,211	2,766	2,747



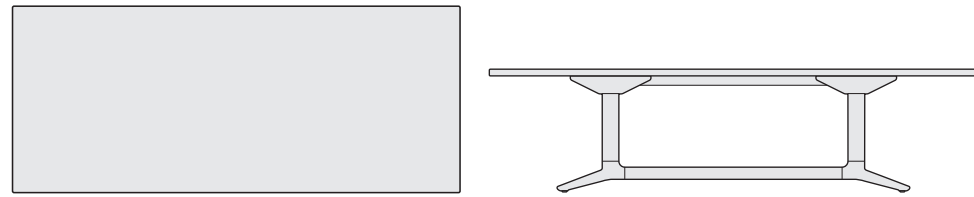
To Order Select Below

1. Series/Style	2. Top Size	3. Top Finish	4. Top Edge Detail	5. Power	6. Base Height	7. Glide	8. Base Set Up	9. Base Finish	
<p>● Top Size</p> <p>CVTSR</p> <p>Cove Table Soft Rectangle Top</p> <p>24030 24W x 30L</p> <p>27027 27W x 27L</p> <p>30030 30W x 30L</p> <p>36036 36W x 36L</p>	<p>● Laminate - Grade 1</p> <p>LM01 DESIGNER WHITE</p> <p>LM02 ALABASTER</p> <p>LM03 WALLABY</p> <p>LM05 DOVE GREY</p> <p>LM06 FASHION GREY</p> <p>LM04 SHADOW</p> <p>LM08 NORTH SEA</p> <p>LM07 SLATE GREY</p> <p>LM09 BLACK</p> <p>LM10 FUSION MAPLE</p> <p>LM11 MONTICELLO MAPLE</p> <p>LM12 RIVER CHERRY</p> <p>LM13 AMBER CHERRY</p> <p>LM14 WALNUT HEIGHTS</p> <p>LM15 MONTANA WALNUT</p> <p>LM16 XANADU</p> <p>LM17 ASIAN NIGHT</p> <p>LM18 CASTLE OAK</p>	<p>● Laminate - Grade 2</p> <p>LM41 BIANCO KOS</p> <p>LM42 GRIGIO EFESO</p> <p>LM43 GRIGIO LONDRA</p> <p>LM44 GRIGIO BROMO</p> <p>LM45 NERO INGO</p> <p>● Custom Finish</p> <p>LM99 CUSTOM LAMINATE</p> <p>WV99 CUSTOM WOOD</p> <p>See page 6 for custom laminate and custom wood details.</p>	<p>● Wood Veneer - Grade 1</p> <p>WV05 TONED ASH</p> <p>WV06 NATURAL MAPLE</p> <p>WV49 NATURAL RECON WHITE OAK</p> <p>WV45 TONED RECON OAK</p> <p>WV44 TONED OAK</p> <p>WV48 NATURAL WHITE</p> <p>WV01 LIGHT GREY</p> <p>WV46 NATURAL FLAT CUT WALNUT</p> <p>WV47 NATURAL RIFT CUT WALNUT</p> <p>WV41 TONED RECON WALNUT</p> <p>WV04 MEDIUM CHERRY</p> <p>WV43 TONED WENGE</p> <p>WV02 WARM GREY</p> <p>WV42 DARK TONED OAK</p> <p>WV03 OPAQUE BLACK</p>	<p>● Top Edge Detail</p> <p>ST1 STRAIGHT EDGE 1</p> <p>RB2 REVERSE BEVEL 2</p> <p> ST1</p> <p> RB2</p> <p>Grade 1 laminate edge has a 2mm PVC edge. Grade 2 laminate has a 1mm ABS edge. Wood edge has a 1mm wood veneer edge.</p>	<p>● Power is unavailable as a standard option for Cove Tables with a single column.</p>	<p>● Base Height</p> <p>B12 12"</p> <p>B15 15"</p> <p>B18 18"</p> <p>Base size is automatically assigned during order entry.</p>	<p>● Glide</p> <p>PLASTIC, PG CARPET</p> <p>SOFT PLASTIC, SG FLOOR</p> <p>All glides are adjustable. Soft plastic glides are not designed for sliding tables.</p>	<p>● Base Set Up</p> <p>F PACKED</p> <p>ASSEMBLED A +71</p>	<p>● Standard Powder Coated Metal</p> <p>BL BLUE</p> <p>BM BLACK MATTE</p> <p>CP CHAMPAGNE</p> <p>DB DARK BRONZE</p> <p>DG DARK GRAY</p> <p>DP DUSTY PINK</p> <p>DS DARK SAGE</p> <p>LG LIGHT GRAY</p> <p>LL LILAC GRAY</p> <p>LP LIGHT PISTACHIO</p> <p>LR LIPSTICK RED</p> <p>MB MIDNIGHT BLUE</p> <p>MG MEADOW GREEN</p> <p>MK MILK</p> <p>MS METALLIC SILVER</p> <p>NK NICKEL</p> <p>OC OCHRE</p> <p>PY PALE YELLOW</p> <p>RO RED ORANGE</p> <p>RR RUSTY RED</p> <p>SB SOFT BLUE</p> <p>SD SAND</p> <p>TC TERRACOTTA</p> <p>TP TAUPE</p>

Cove Tables

OCCASIONAL TABLE: TRUE RECTANGLE

TITLE	SERIES	SHAPE	DEPTH	WIDTH	Top Edge/Finish			REVERSE BEVEL		
					LM1	LM2	WV1	LM1	LM2	WV1
Occasional Table True Rectangle Top Dual Base Height options: 12", 15", 18" Optional power through column Height adjustable glides Base ships flat packed or assembled	CVT	TR	30	48	2,283	2,900	3,304	3,121	3,251	3,713
				56	2,441	3,680	3,574	3,329	4,036	4,018
				60	2,446	3,999	3,720	3,408	4,359	4,181
				72	2,656	4,460	4,231	3,745	4,852	4,756
			36	56	2,592	3,901	3,882	3,546	4,288	4,378
				60	2,599	3,930	4,056	3,640	4,332	4,578
				72	2,826	4,527	4,609	3,987	4,964	5,198
			42	56	2,631	3,980	4,188	3,762	4,396	4,740
				60	2,634	4,156	4,390	3,869	4,594	4,967
				72	2,856	4,643	5,044	4,286	5,123	5,705



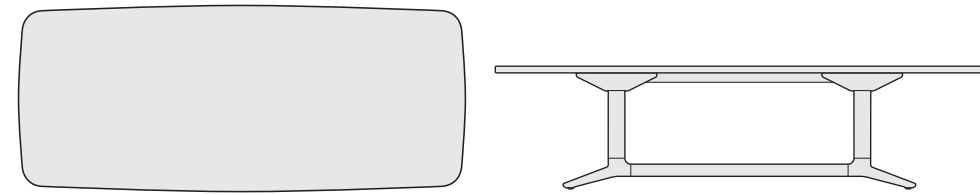
To Order Select Below

1. Series/Style	2. Top Size	3. Top Finish	4. Top Edge Detail	5. Power	6. Base Height	7. Glide	8. Base Set Up	9. Base Finish		
<ul style="list-style-type: none"> CVTR Cove Table True Rectangle Top 	<ul style="list-style-type: none"> 30048 30W x 48L 30056 30W x 56L 30060 30W x 60L 30072 30W x 72L 36056 36W x 56L 36060 36W x 60L 36072 36W x 72L 42056 42W x 56L 42060 42W x 60L 42072 42W x 72L 	<ul style="list-style-type: none"> Laminate - Grade 1 LM01 DESIGNER WHITE LM02 ALABASTER LM03 WALLABY LM05 DOVE GREY LM06 FASHION GREY LM04 SHADOW LM08 NORTH SEA LM07 SLATE GREY LM09 BLACK LM10 FUSION MAPLE LM11 MONTICELLO MAPLE LM12 RIVER CHERRY LM13 AMBER CHERRY LM14 WALNUT HEIGHTS LM15 MONTANA WALNUT LM16 XANADU LM17 ASIAN NIGHT LM18 CASTLE OAK 	<ul style="list-style-type: none"> Laminate - Grade 2 LM41 BIANCO KOS LM42 GRIGIO EFESO LM43 GRIGIO LONDRA LM44 GRIGIO BROMO LM45 NERO INGO Custom Finish LM99 CUSTOM LAMINATE WV99 CUSTOM WOOD <p>See page 6 for custom laminate and custom wood details.</p>	<ul style="list-style-type: none"> Wood Veneer - Grade 1 WV05 TONED ASH WV06 NATURAL MAPLE WV49 NATURAL RECON WHITE OAK WV45 TONED RECON OAK WV44 TONED OAK WV48 NATURAL WHITE WV01 LIGHT GREY WV46 NATURAL FLAT CUT WALNUT WV47 NATURAL RIFT CUT WALNUT WV41 TONED RECON WALNUT WV04 MEDIUM CHERRY WV43 TONED WENGE WV02 WARM GREY WV42 DARK TONED OAK WV03 OPAQUE BLACK 	<ul style="list-style-type: none"> Top Edge Detail ST1 STRAIGHT EDGE 1 RB2 REVERSE BEVEL 2 <p>Grade 1 laminate edge has a 2mm PVC edge. Grade 2 laminate has a 1mm ABS edge. Wood edge has a 1mm wood veneer edge.</p>	<p>Please see page 7 for Cove Table power prices and model codes.</p>	<ul style="list-style-type: none"> Base Height B12 12" B15 15" B18 18" <p>Base size is automatically assigned during order entry.</p>	<ul style="list-style-type: none"> Glide PLASTIC, PG CARPET SOFT PLASTIC, SG FLOOR <p>All glides are adjustable. Soft plastic glides are not designed for sliding tables.</p>	<ul style="list-style-type: none"> Base Set Up F FLAT PACKED A ASSEMBLED +138 	<ul style="list-style-type: none"> Standard Powder Coated Metal BL BLUE BM BLACK MATTE CP CHAMPAGNE DB DARK BRONZE DG DARK GRAY DP DUSTY PINK LG LIGHT GRAY LL LILAC GRAY LP LIGHT PISTACHIO LR LIPSTICK RED MB MIDNIGHT BLUE MG MEADOW GREEN MK MILK MS METALLIC SILVER NK NICKEL OC OCHRE PY PALE YELLOW RO RED ORANGE RR RUSTY RED SB SOFT BLUE SD SAND TC TERRACOTTA TP TAUPE

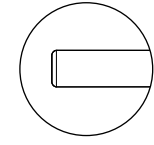
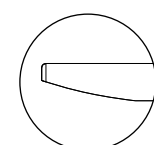
Cove Tables

OCCASIONAL TABLE: SOFT RECTANGLE

TITLE	SERIES	SHAPE	DEPTH	WIDTH	Top Edge/Finish			REVERSE BEVEL		
					LM1	LM2	WV1	LM1	LM2	WV1
Occasional Table Soft Rectangle Top Dual Base Height options: 12", 15", 18" Optional power through column Height adjustable glides Base ships flat packed or assembled	CVT	SR	30	48	2,307	2,868	3,360	3,121	3,251	3,765
				56	2,472	3,602	3,627	3,313	4,021	4,070
				60	2,475	3,898	3,764	3,383	4,338	4,234
				72	2,685	4,349	4,293	3,717	4,831	4,809
			36	56	2,622	3,801	3,926	3,507	4,257	4,423
				60	2,628	3,825	4,090	3,590	4,297	4,616
				72	2,856	4,338	4,592	3,867	4,867	5,178
			42	56	2,649	3,896	4,179	3,655	4,314	4,722
				60	2,653	4,061	4,416	3,797	4,539	4,995
				72	2,887	4,486	5,035	4,153	5,017	5,687



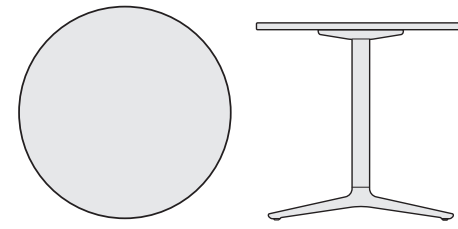
To Order Select Below

1. Series/Style	2. Top Size	3. Top Finish	4. Top Edge Detail	5. Power	6. Base Height	7. Glide	8. Base Set Up	9. Base Finish		
<p>CVTSR</p> <p>Cove Table Soft Rectangle Top</p>	<p>30048 30W x 48L</p> <p>30056 30W x 56L</p> <p>30060 30W x 60L</p> <p>30072 30W x 72L</p> <p>36056 36W x 56L</p> <p>36060 36W x 60L</p> <p>36072 36W x 72L</p> <p>42056 42W x 56L</p> <p>42060 42W x 60L</p> <p>42072 42W x 72L</p>	<p>Laminate - Grade 1</p> <p>LM01 DESIGNER WHITE</p> <p>LM02 ALABASTER</p> <p>LM03 WALLABY</p> <p>LM05 DOVE GREY</p> <p>LM06 FASHION GREY</p> <p>LM04 SHADOW</p> <p>LM08 NORTH SEA</p> <p>LM07 SLATE GREY</p> <p>LM09 BLACK</p> <p>LM10 FUSION MAPLE</p> <p>LM11 MONTICELLO MAPLE</p> <p>LM12 RIVER CHERRY</p> <p>LM13 AMBER CHERRY</p> <p>LM14 WALNUT HEIGHTS</p> <p>LM15 MONTANA WALNUT</p> <p>LM16 XANADU</p> <p>LM17 ASIAN NIGHT</p> <p>LM18 CASTLE OAK</p>	<p>Laminate - Grade 2</p> <p>LM41 BIANCO KOS</p> <p>LM42 GRIGIO EFESO</p> <p>LM43 GRIGIO LONDRA</p> <p>LM44 GRIGIO BROMO</p> <p>LM45 NERO INGO</p> <p>Custom Finish</p> <p>LM99 CUSTOM LAMINATE</p> <p>WV99 CUSTOM WOOD</p> <p>See page 6 for custom laminate and custom wood details.</p>	<p>Wood Veneer - Grade 1</p> <p>WV05 TONED ASH</p> <p>WV06 NATURAL MAPLE</p> <p>WV49 NATURAL RECON WHITE OAK</p> <p>WV45 TONED RECON OAK</p> <p>WV44 TONED OAK</p> <p>WV48 NATURAL WHITE</p> <p>WV01 LIGHT GREY</p> <p>WV46 NATURAL FLAT CUT WALNUT</p> <p>WV47 NATURAL RIFT CUT WALNUT</p> <p>WV41 TONED RECON WALNUT</p> <p>WV04 MEDIUM CHERRY</p> <p>WV43 TONED WENGE</p> <p>WV02 WARM GREY</p> <p>WV42 DARK TONED OAK</p> <p>WV03 OPAQUE BLACK</p>	<p>Top Edge Detail</p> <p>ST1 STRAIGHT EDGE 1</p> <p>RB2 REVERSE BEVEL 2</p> <p> ST1</p> <p> RB2</p> <p>Grade 1 laminate edge has a 2mm PVC edge. Grade 2 laminate has a 1mm ABS edge. Wood edge has a 1mm wood veneer edge.</p>	<p>Power</p> <p>Please see page 7 for Cove Table power prices and model codes.</p>	<p>Base Height</p> <p>B12 12"</p> <p>B15 15"</p> <p>B18 18"</p> <p>Base size is automatically assigned during order entry.</p>	<p>Glide</p> <p>PLASTIC, PG CARPET</p> <p>SOFT PLASTIC, SG FLOOR</p> <p>All glides are adjustable. Soft plastic glides are not designed for sliding tables.</p>	<p>Base Set Up</p> <p>F FLAT PACKED</p> <p>A ASSEMBLED +138</p>	<p>Standard Powder Coated Metal</p> <p>BL BLUE</p> <p>BM BLACK MATTE</p> <p>CP CHAMPAGNE</p> <p>DB DARK BRONZE</p> <p>DG DARK GRAY</p> <p>DP DUSTY PINK</p> <p>LG LIGHT GRAY</p> <p>LL LILAC GRAY</p> <p>LP LIGHT PISTACHIO</p> <p>LR LIPSTICK RED</p> <p>MB MIDNIGHT BLUE</p> <p>MG MEADOW GREEN</p> <p>MK MILK</p> <p>MS METALLIC SILVER</p> <p>NK NICKEL</p> <p>OC OCHRE</p> <p>PY PALE YELLOW</p> <p>RO RED ORANGE</p> <p>RR RUSTY RED</p> <p>SB SOFT BLUE</p> <p>SD SAND</p> <p>TC TERRACOTTA</p> <p>TP TAUPE</p>

Cove Tables

MULTI-PURPOSE TABLE: ROUND

TITLE	SERIES	SHAPE	TOP DIAMETER	Top Edge/Finish			REVERSE BEVEL			
				LM1	LM2	WV1	LM1	LM2	WV1	
Multi-Purpose Table Round Top Single Base	Height options: 26", 28.5" Height adjustable glides Base ships flat packed or assembled	CVT	RD	30	1,280	1,909	2,011	1,987	2,202	2,334
				36	1,511	2,218	2,406	2,259	2,548	2,795



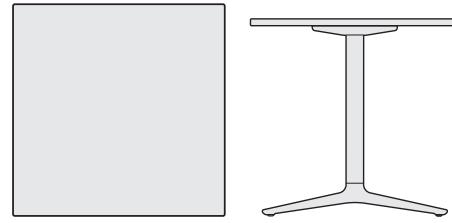
To Order Select Below

1. Series/Style	2. Top Size	3. Top Finish	4. Top Edge Detail	5. Power	6. Base Height	7. Glide	8. Base Set Up	9. Base Finish
<p>● Cove Table Round Top</p> <p>CVTRD</p>	<p>● Top Size</p> <p>30000 30 DIA. 36000 36 DIA.</p>	<p>● Laminate - Grade 1</p> <p>LM01 DESIGNER WHITE LM02 ALABASTER LM03 WALLABY LM05 DOVE GREY LM06 FASHION GREY LM04 SHADOW LM08 NORTH SEA LM07 SLATE GREY LM09 BLACK LM10 FUSION MAPLE LM11 MONTICELLO MAPLE LM12 RIVER CHERRY LM13 AMBER CHERRY LM14 WALNUT HEIGHTS LM15 MONTANA WALNUT LM16 XANADU LM17 ASIAN NIGHT LM18 CASTLE OAK</p> <p>● Laminate - Grade 2</p> <p>LM41 BIANCO KOS LM42 GRIGIO EFESO LM43 GRIGIO LONDRA LM44 GRIGIO BROMO LM45 NERO INGO</p> <p>● Wood Veneer - Grade 1</p> <p>WV05 TONED ASH WV06 NATURAL MAPLE WV49 NATURAL RECON WHITE OAK WV45 TONED RECON OAK WV44 TONED OAK WV48 NATURAL WHITE WV01 LIGHT GREY WV46 NATURAL FLAT CUT WALNUT WV47 NATURAL RIFT CUT WALNUT WV41 TONED RECON WALNUT WV04 MEDIUM CHERRY WV43 TONED WENGE WV02 WARM GREY WV42 DARK TONED OAK WV03 OPAQUE BLACK</p> <p>● Custom Finish</p> <p>LM99 CUSTOM LAMINATE WV99 CUSTOM WOOD</p> <p>See page 6 for custom laminate and custom wood details.</p>	<p>● Top Edge Detail</p> <p>ST1 STRAIGHT EDGE 1 RB2 REVERSE BEVEL 2</p> <p>ST1 </p> <p>RB2 </p> <p>Grade 1 laminate edge has a 2mm PVC edge. Grade 2 laminate has a 1mm ABS edge. Wood edge has a 1mm wood veneer edge.</p>	<p>● Power is unavailable as a standard option for Cove Tables with a single column.</p>	<p>● Base Height</p> <p>B26 26" B29 28.5"</p> <p>Base size is automatically assigned during order entry.</p>	<p>● Glide</p> <p>PLASTIC, PG CARPET SOFT PLASTIC, SG FLOOR</p> <p>All glides are adjustable. Soft plastic glides are not designed for sliding tables.</p>	<p>● Base Set Up</p> <p>F FLAT PACKED A ASSEMBLED +138</p>	<p>● Standard Powder Coated Metal</p> <p>BL BLUE BM BLACK MATTE CP CHAMPAGNE DB DARK BRONZE DG DARK GRAY DP DUSTY PINK DS DARK SAGE LG LIGHT GRAY LL LILAC GRAY LP LIGHT PISTACHIO LR LIPSTICK RED MB MIDNIGHT BLUE</p> <p>MG MEADOW GREEN MK MILK MS METALLIC SILVER NK NICKEL OC OCHRE PY PALE YELLOW RO RED ORANGE RR RUSTY RED SB SOFT BLUE SD SAND TC TERRACOTTA TP TAUPE</p>

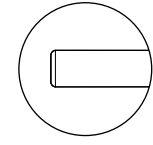
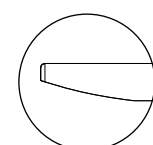
Cove Tables

MULTI-PURPOSE TABLE: TRUE RECTANGLE

TITLE	SERIES	SHAPE	DEPTH	WIDTH	Top Edge/Finish			REVERSE BEVEL		
					LM1	LM2	WV1	LM1	LM2	WV1
Multi-Purpose Table True Rectangle Top Single Base Height options: 26", 28.5" Height adjustable glides Base ships flat packed or assembled	CVT	TR	24	30	1,233	1,568	1,812	1,822	1,853	2,055
			27	27	1,234	1,872	1,856	1,826	2,152	2,055
			30	30	1,310	1,941	1,954	1,969	2,234	2,280
			36	36	1,531	2,481	2,342	2,251	2,808	2,732



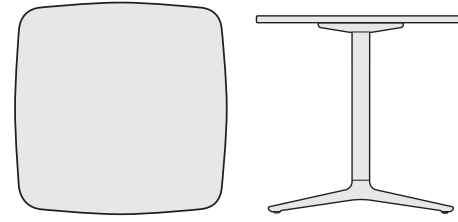
To Order Select Below

1. Series/Style	2. Top Size	3. Top Finish	4. Top Edge Detail	5. Power	6. Base Height	7. Glide	8. Base Set Up	9. Base Finish	
<p>● Top Size</p> <p>CVTR</p> <p>Cove Table True Rectangle Top</p> <p>24030 24W x 30L 27027 27W x 27L 30030 30W x 30L 36036 36W x 36L</p>	<p>● Laminate - Grade 1</p> <p>LM01 DESIGNER WHITE LM02 ALABASTER LM03 WALLABY LM05 DOVE GREY LM06 FASHION GREY LM04 SHADOW LM08 NORTH SEA LM07 SLATE GREY LM09 BLACK LM10 FUSION MAPLE LM11 MONTICELLO MAPLE LM12 RIVER CHERRY LM13 AMBER CHERRY LM14 WALNUT HEIGHTS LM15 MONTANA WALNUT LM16 XANADU LM17 ASIAN NIGHT LM18 CASTLE OAK</p>	<p>● Laminate - Grade 2</p> <p>LM41 BIANCO KOS LM42 GRIGIO EFESO LM43 GRIGIO LONDRA LM44 GRIGIO BROMO LM45 NERO INGO</p> <p>● Custom Finish</p> <p>LM99 CUSTOM LAMINATE WV99 CUSTOM WOOD</p> <p>See page 6 for custom laminate and custom wood details.</p>	<p>● Wood Veneer - Grade 1</p> <p>WV05 TONED ASH WV06 NATURAL MAPLE WV49 NATURAL RECON WHITE OAK WV45 TONED RECON OAK WV44 TONED OAK WV48 NATURAL WHITE WV01 LIGHT GREY WV46 NATURAL FLAT CUT WALNUT WV47 NATURAL RIFT CUT WALNUT WV41 TONED RECON WALNUT WV04 MEDIUM CHERRY WV43 TONED WENGE WV02 WARM GREY WV42 DARK TONED OAK WV03 OPAQUE BLACK</p>	<p>● Top Edge Detail</p> <p>ST1 STRAIGHT EDGE 1 RB2 REVERSE BEVEL 2</p> <p> ST1</p> <p> RB2</p> <p>Grade 1 laminate edge has a 2mm PVC edge. Grade 2 laminate has a 1mm ABS edge. Wood edge has a 1mm wood veneer edge.</p>	<p>● Power is unavailable as a standard option for Cove Tables with a single column.</p>	<p>● Base Height</p> <p>B26 26" B29 28.5"</p> <p>Base size is automatically assigned during order entry.</p>	<p>● Glide</p> <p>PLASTIC, PG CARPET SOFT PLASTIC, SG FLOOR</p> <p>All glides are adjustable. Soft plastic glides are not designed for sliding tables.</p>	<p>● Base Set Up</p> <p>F PACKED A ASSEMBLED +138</p>	<p>● Standard Powder Coated Metal</p> <p>BL BLUE BM BLACK MATTE CP CHAMPAGNE DB DARK BRONZE DG DARK GRAY DP DUSTY PINK DS DARK SAGE LG LIGHT GRAY LL LILAC GRAY LP LIGHT PISTACHIO LR LIPSTICK RED MB MIDNIGHT BLUE</p> <p>MG MEADOW GREEN MK MILK MS METALLIC SILVER NK NICKEL OC OCHRE PY PALE YELLOW RO RED ORANGE RR RUSTY RED SB SOFT BLUE SD SAND TC TERRACOTTA TP TAUPE</p>

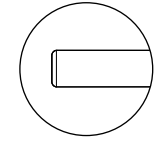
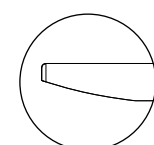
Cove Tables

MULTI-PURPOSE TABLE: SOFT RECTANGLE

TITLE	SERIES	SHAPE	DEPTH	WIDTH	Top Edge/Finish			REVERSE BEVEL		
					LM1	LM2	WV1	LM1	LM2	WV1
Multi-Purpose Table Soft Rectangle Top Single Base Height options: 26", 28.5" Height adjustable glides Base ships flat packed or assembled	CVT	SR	24	30	1,251	1,547	1,886	1,822	1,853	2,082
			27	27	1,254	1,841	1,783	1,826	2,152	2,082
			30	30	1,330	1,899	2,091	1,955	2,224	2,299
			36	36	1,553	2,439	2,406	2,259	2,814	2,795



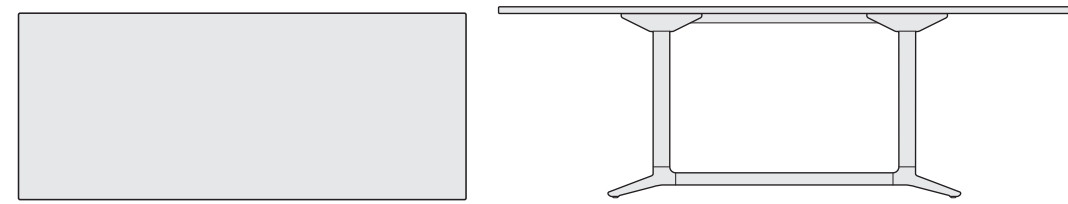
To Order Select Below

1. Series/Style	2. Top Size	3. Top Finish	4. Top Edge Detail	5. Power	6. Base Height	7. Glide	8. Base Set Up	9. Base Finish	
<p>● Top Size</p> <p>CVTSR</p> <p>Cove Table Soft Rectangle Top</p> <p>24030 24W x 30L 27027 27W x 27L 30030 30W x 30L 36036 36W x 36L</p>	<p>● Laminate - Grade 1</p> <p>LM01 DESIGNER WHITE LM02 ALABASTER LM03 WALLABY LM05 DOVE GREY LM06 FASHION GREY LM04 SHADOW LM08 NORTH SEA LM07 SLATE GREY LM09 BLACK LM10 FUSION MAPLE LM11 MONTICELLO MAPLE LM12 RIVER CHERRY LM13 AMBER CHERRY LM14 WALNUT HEIGHTS LM15 MONTANA WALNUT LM16 XANADU LM17 ASIAN NIGHT LM18 CASTLE OAK</p>	<p>● Laminate - Grade 2</p> <p>LM41 BIANCO KOS LM42 GRIGIO EFESO LM43 GRIGIO LONDRA LM44 GRIGIO BROMO LM45 NERO INGO</p> <p>● Custom Finish</p> <p>LM99 CUSTOM LAMINATE WV99 CUSTOM WOOD</p> <p>See page 6 for custom laminate and custom wood details.</p>	<p>● Wood Veneer - Grade 1</p> <p>WV05 TONED ASH WV06 NATURAL MAPLE WV49 NATURAL RECON WHITE OAK WV45 TONED RECON OAK WV44 TONED OAK WV48 NATURAL WHITE WV01 LIGHT GREY WV46 NATURAL FLAT CUT WALNUT WV47 NATURAL RIFT CUT WALNUT WV41 TONED RECON WALNUT WV04 MEDIUM CHERRY WV43 TONED WENGE WV02 WARM GREY WV42 DARK TONED OAK WV03 OPAQUE BLACK</p>	<p>● Top Edge Detail</p> <p>ST1 STRAIGHT EDGE 1 RB2 REVERSE BEVEL 2</p> <p> ST1</p> <p> RB2</p> <p>Grade 1 laminate edge has a 2mm PVC edge. Grade 2 laminate has a 1mm ABS edge. Wood edge has a 1mm wood veneer edge.</p>	<p>● Power is unavailable as a standard option for Cove Tables with a single column.</p>	<p>● Base Height</p> <p>B26 26" B29 28.5"</p> <p>Base size is automatically assigned during order entry.</p>	<p>● Glide</p> <p>PLASTIC, PG CARPET SOFT PLASTIC, SG FLOOR</p> <p>All glides are adjustable. Soft plastic glides are not designed for sliding tables.</p>	<p>● Base Set Up</p> <p>F PACKED A ASSEMBLED +138</p>	<p>● Standard Powder Coated Metal</p> <p>BL BLUE BM BLACK MATTE CP CHAMPAGNE DB DARK BRONZE DG DARK GRAY DP DUSTY PINK DS DARK SAGE LG LIGHT GRAY LL LILAC GRAY LP LIGHT PISTACHIO LR LIPSTICK RED MB MIDNIGHT BLUE</p> <p>MG MEADOW GREEN MK MILK MS METALLIC SILVER NK NICKEL OC OCHRE PY PALE YELLOW RO RED ORANGE RR RUSTY RED SB SOFT BLUE SD SAND TC TERRACOTTA TP TAUPE</p>

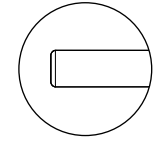
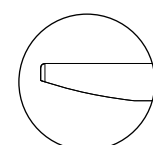
Cove Tables

MULTI-PURPOSE TABLE: TRUE RECTANGLE

TITLE	SERIES	SHAPE	DEPTH	WIDTH	Top Edge/Finish			REVERSE BEVEL		
					LM1	LM2	WV1	LM1	LM2	WV1
Multi-Purpose Table True Rectangle Top Dual Base Height options: 26", 28.5" Optional power through column Height adjustable glides Base ships flat packed or assembled	CVT	TR	30	48	2,296	2,913	3,317	3,134	3,264	3,726
				56	2,450	3,689	3,583	4,045	4,027	
				60	2,458	4,011	3,732	4,371	4,193	
				72	2,661	4,465	4,236	3,750	4,857	4,761
				84	2,695	4,882	4,679	4,036	5,302	5,256
				96	2,851	5,319	5,103	4,343	5,772	5,737
			36	108	3,097	5,755	5,586	4,651	6,236	6,273
				56	2,601	3,910	3,891	3,555	4,297	4,387
				60	2,611	3,942	4,068	3,652	4,344	4,590
				72	2,831	4,532	4,614	3,992	4,969	5,203
				84	3,220	4,987	5,157	4,347	5,456	5,818
				96	3,291	5,434	5,647	4,693	5,942	6,371
			108	3,627	5,886	6,199	5,037	6,426	6,997	



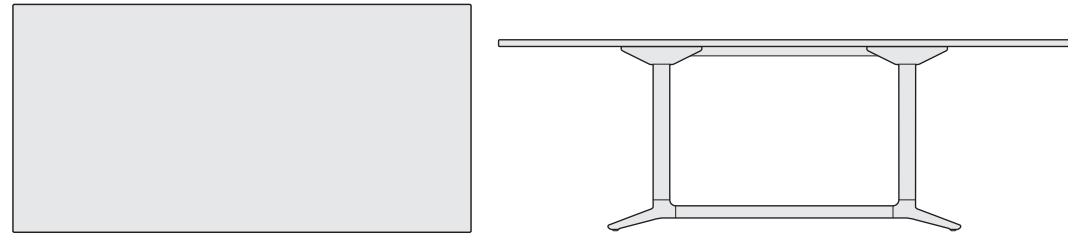
To Order Select Below

1. Series/Style	2. Top Size	3. Top Finish	4. Top Edge Detail	5. Power	6. Base Height	7. Glide	8. Base Set Up	9. Base Finish		
<p>CVTR</p> <p>Cove Table True Rectangle Top</p>	<p>Top Size</p> <p>30056 30W x 56L</p> <p>30060 30W x 60L</p> <p>30072 30W x 72L</p> <p>30084 30W x 84L</p> <p>30096 30W x 96L</p> <p>30108 30W x 108L</p> <p>36056 36W x 56L</p> <p>36060 36W x 60L</p> <p>36072 36W x 72L</p> <p>36084 36W x 84L</p> <p>36096 36W x 96L</p> <p>36108 36W x 108L</p>	<p>Laminate - Grade 1</p> <p>LM01 DESIGNER WHITE</p> <p>LM02 ALABASTER</p> <p>LM03 WALLABY</p> <p>LM05 DOVE GREY</p> <p>LM06 FASHION GREY</p> <p>LM04 SHADOW</p> <p>LM08 NORTH SEA</p> <p>LM07 SLATE GREY</p> <p>LM09 BLACK</p> <p>LM10 FUSION MAPLE</p> <p>LM11 MONTICELLO MAPLE</p> <p>LM12 RIVER CHERRY</p> <p>LM13 AMBER CHERRY</p> <p>LM14 WALNUT HEIGHTS</p> <p>LM15 MONTANA WALNUT</p> <p>LM16 XANADU</p> <p>LM17 ASIAN NIGHT</p> <p>LM18 CASTLE OAK</p>	<p>Laminate - Grade 2</p> <p>LM41 BIANCO KOS</p> <p>LM42 GRIGIO EFESO</p> <p>LM43 GRIGIO LONDRA</p> <p>LM44 GRIGIO BROMO</p> <p>LM45 NERO INGO</p> <p>Custom Finish</p> <p>LM99 CUSTOM LAMINATE</p> <p>WV99 CUSTOM WOOD</p> <p>See page 6 for custom laminate and custom wood details.</p>	<p>Wood Veneer - Grade 1</p> <p>WV05 TONED ASH</p> <p>WV06 NATURAL MAPLE</p> <p>WV49 NATURAL RECON WHITE OAK</p> <p>WV45 TONED RECON OAK</p> <p>WV44 TONED OAK</p> <p>WV48 NATURAL WHITE</p> <p>WV01 LIGHT GREY</p> <p>WV46 NATURAL FLAT CUT WALNUT</p> <p>WV47 NATURAL RIFT CUT WALNUT</p> <p>WV41 TONED RECON WALNUT</p> <p>WV04 MEDIUM CHERRY</p> <p>WV43 TONED WENGE</p> <p>WV02 WARM GREY</p> <p>WV42 DARK TONED OAK</p> <p>WV03 OPAQUE BLACK</p>	<p>Top Edge Detail</p> <p>ST1 STRAIGHT EDGE 1</p> <p>RB2 REVERSE BEVEL 2</p> <p> ST1</p> <p> RB2</p> <p>Grade 1 laminate edge has a 2mm PVC edge. Grade 2 laminate has a 1mm ABS edge. Wood edge has a 1mm wood veneer edge.</p>	<p>Power</p> <p>Please see page 7 for Cove Table power prices and model codes.</p>	<p>Base Height</p> <p>B26 26"</p> <p>B29 28.5"</p> <p>Base size is automatically assigned during order entry.</p>	<p>Glide</p> <p>PLASTIC, PG CARPET</p> <p>SOFT PLASTIC, SG FLOOR</p> <p>All glides are adjustable. Soft plastic glides are not designed for sliding tables.</p>	<p>Base Set Up</p> <p>F FLAT PACKED</p> <p>A ASSEMBLED +280</p>	<p>Standard Powder Coated Metal</p> <p>BL BLUE</p> <p>BM BLACK MATTE</p> <p>CP CHAMPAGNE</p> <p>DB DARK BRONZE</p> <p>DG DARK GRAY</p> <p>DP DUSTY PINK</p> <p>DS DARK SAGE</p> <p>LG LIGHT GRAY</p> <p>LL LILAC GRAY</p> <p>LP LIGHT PISTACHIO</p> <p>LR LIPSTICK RED</p> <p>MB MIDNIGHT BLUE</p> <p>MG MEADOW GREEN</p> <p>MK MILK</p> <p>MS METALLIC SILVER</p> <p>NK NICKEL</p> <p>OC OCHRE</p> <p>PY PALE YELLOW</p> <p>RO RED ORANGE</p> <p>RR RUSTY RED</p> <p>SB SOFT BLUE</p> <p>SD SAND</p> <p>TC TERRACOTTA</p> <p>TP TAUPE</p>

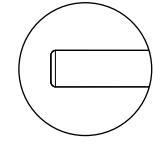
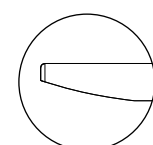
Cove Tables

MULTI-PURPOSE TABLE: TRUE RECTANGLE

TITLE	SERIES	SHAPE	DEPTH	WIDTH	Top Edge/Finish			REVERSE BEVEL		
					LM1	LM2	WV1	LM1	LM2	WV1
Multi-Purpose Table True Rectangle Top Dual Base Height options: 26", 28.5" Optional power through column Height adjustable glides Base ships flat packed or assembled	CVT	TR	42	56	2,640	3,989	4,197	3,771	4,405	4,749
				60	2,646	4,168	4,402	3,881	4,606	4,979
				72	2,861	4,648	5,049	4,291	5,128	5,710
				84	3,236	5,092	5,636	4,656	5,610	6,370
				96	3,313	5,843	6,189	5,042	6,397	7,004
				108	3,632	6,012	6,815	5,429	6,621	7,701



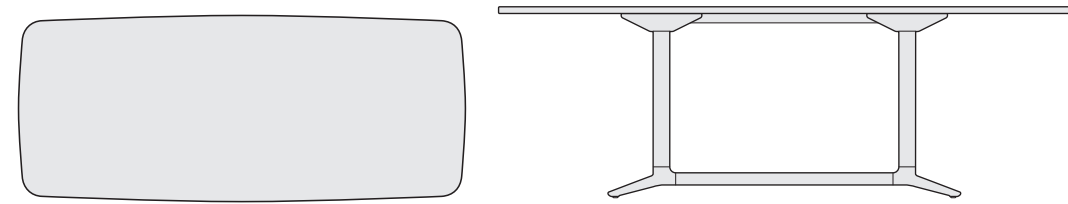
To Order Select Below

1. Series/Style	2. Top Size	3. Top Finish	4. Top Edge Detail	5. Power	6. Base Height	7. Glide	8. Base Set Up	9. Base Finish		
<ul style="list-style-type: none"> CVTR Cove Table True Rectangle Top 	<ul style="list-style-type: none"> 42056 42W x 56L 42060 42W x 60L 42072 42W x 72L 42084 42W x 84L 42096 42W x 96L 42108 42W x 108L 	<ul style="list-style-type: none"> Laminate - Grade 1 LM01 DESIGNER WHITE LM02 ALABASTER LM03 WALLABY LM05 DOVE GREY LM06 FASHION GREY LM04 SHADOW LM08 NORTH SEA LM07 SLATE GREY LM09 BLACK LM10 FUSION MAPLE LM11 MONTICELLO MAPLE LM12 RIVER CHERRY LM13 AMBER CHERRY LM14 WALNUT HEIGHTS LM15 MONTANA WALNUT LM16 XANADU LM17 ASIAN NIGHT LM18 CASTLE OAK 	<ul style="list-style-type: none"> Laminate - Grade 2 LM41 BIANCO KOS LM42 GRIGIO EFESO LM43 GRIGIO LONDRA LM44 GRIGIO BROMO LM45 NERO INGO Custom Finish LM99 CUSTOM LAMINATE WV99 CUSTOM WOOD <p>See page 6 for custom laminate and custom wood details.</p>	<ul style="list-style-type: none"> Wood Veneer - Grade 1 WV05 TONED ASH WV06 NATURAL MAPLE WV49 NATURAL RECON WHITE OAK WV45 TONED RECON OAK WV44 TONED OAK WV48 NATURAL WHITE WV01 LIGHT GREY WV46 NATURAL FLAT CUT WALNUT WV47 NATURAL RIFT CUT WALNUT WV41 TONED RECON WALNUT WV04 MEDIUM CHERRY WV43 TONED WENGE WV02 WARM GREY WV42 DARK TONED OAK WV03 OPAQUE BLACK 	<ul style="list-style-type: none"> Top Edge Detail ST1 STRAIGHT EDGE 1 RB2 REVERSE BEVEL 2   <p>Grade 1 laminate edge has a 2mm PVC edge. Grade 2 laminate has a 1mm ABS edge. Wood edge has a 1mm wood veneer edge.</p>	<ul style="list-style-type: none"> Power Please see page 7 for Cove Table power prices and model codes. 	<ul style="list-style-type: none"> Base Height B26 26" B29 28.5" Base size is automatically assigned during order entry. 	<ul style="list-style-type: none"> Glide PLASTIC, PG CARPET SOFT PLASTIC, SG FLOOR All glides are adjustable. Soft plastic glides are not designed for sliding tables. 	<ul style="list-style-type: none"> Base Set Up F FLAT PACKED A ASSEMBLED +280 	<ul style="list-style-type: none"> Standard Powder Coated Metal BL BLUE BM BLACK MATTE CP CHAMPAGNE DB DARK BRONZE DG DARK GRAY DP DUSTY PINK DS DARK SAGE LG LIGHT GRAY LL LILAC GRAY LP LIGHT PISTACHIO LR LIPSTICK RED MB MIDNIGHT BLUE MG MEADOW GREEN MK MILK MS METALLIC SILVER NK NICKEL OC OCHRE PY PALE YELLOW RO RED ORANGE RR RUSTY RED SB SOFT BLUE SD SAND TC TERRACOTTA TP TAUPE

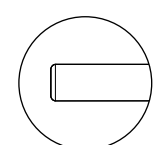
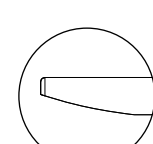
Cove Tables

MULTI-PURPOSE TABLE: SOFT RECTANGLE

TITLE	SERIES	SHAPE	DEPTH	WIDTH	Top Edge/Finish			REVERSE BEVEL		
					LM1	LM2	WV1	LM1	LM2	WV1
Multi-Purpose Table Soft Rectangle Top Dual Base Height options: 26", 28.5" Optional power through column Height adjustable glides Base ships flat packed or assembled	CVT	SR	30	48	2,320	2,881	3,373	3,134	3,264	3,778
				56	2,481	3,611	3,636	4,030	4,079	
				60	2,487	3,910	3,776	4,350	4,246	
				72	2,690	4,354	4,298	3,722	4,836	4,814
				84	2,811	4,740	4,724	3,986	5,260	5,301
				96	2,879	5,146	5,141	4,270	5,710	5,737
				108	3,129	5,545	5,612	4,552	6,160	6,479
			36	56	2,631	3,810	3,935	3,516	4,266	4,432
				60	2,640	3,837	4,102	3,602	4,309	4,628
				72	2,861	4,343	4,597	3,872	4,872	5,183
				84	3,252	4,813	5,192	4,263	5,389	5,852
				96	3,324	5,230	5,673	4,578	5,855	6,342
				108	3,662	5,640	6,209	4,898	6,314	7,005



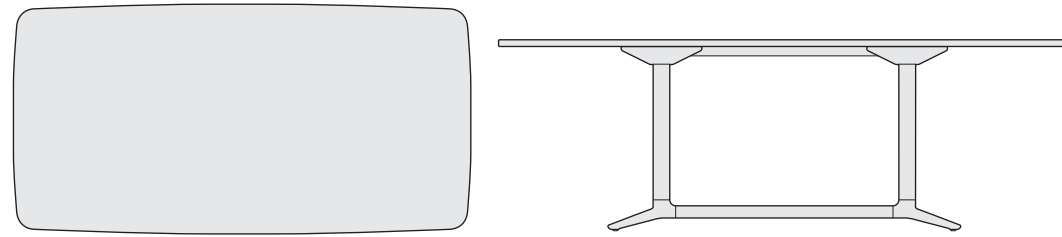
To Order Select Below

1. Series/Style	2. Top Size	3. Top Finish	4. Top Edge Detail	5. Power	6. Base Height	7. Glide	8. Base Set Up	9. Base Finish
<ul style="list-style-type: none"> CVTSR Cove Table Soft Rectangle Top 	<ul style="list-style-type: none"> 30056 30W x 56L 30060 30W x 60L 30072 30W x 72L 30084 30W x 84L 30096 30W x 96L 30108 30W x 108L 36056 36W x 56L 36060 36W x 60L 36072 36W x 72L 36084 36W x 84L 36096 36W x 96L 36108 36W x 108L 	<ul style="list-style-type: none"> Laminate - Grade 1 LM01 DESIGNER WHITE LM02 ALABASTER LM03 WALLABY LM05 DOVE GREY LM06 FASHION GREY LM04 SHADOW LM08 NORTH SEA LM07 SLATE GREY LM09 BLACK LM10 FUSION MAPLE LM11 MONTICELLO MAPLE LM12 RIVER CHERRY LM13 AMBER CHERRY LM14 WALNUT HEIGHTS LM15 MONTANA WALNUT LM16 XANADU LM17 ASIAN NIGHT LM18 CASTLE OAK <ul style="list-style-type: none"> Laminate - Grade 2 LM41 BIANCO KOS LM42 GRIGIO EFESO LM43 GRIGIO LONDRA LM44 GRIGIO BROMO LM45 NERO INGO <ul style="list-style-type: none"> Wood Veneer - Grade 1 WV05 TONED ASH WV06 NATURAL MAPLE WV49 NATURAL RECON WHITE OAK WV45 TONED RECON OAK WV44 TONED OAK WV48 NATURAL WHITE WV01 LIGHT GREY WV46 NATURAL FLAT CUT WALNUT WV47 NATURAL RIFT CUT WALNUT WV41 TONED RECON WALNUT WV04 MEDIUM CHERRY WV43 TONED WENGE WV02 WARM GREY WV42 DARK TONED OAK WV03 OPAQUE BLACK <ul style="list-style-type: none"> Custom Finish LM99 CUSTOM LAMINATE WV99 CUSTOM WOOD <p>See page 6 for custom laminate and custom wood details.</p>	<ul style="list-style-type: none"> Top Edge Detail ST1 STRAIGHT EDGE 1 RB2 REVERSE BEVEL 2   <p>Grade 1 laminate edge has a 2mm PVC edge. Grade 2 laminate has a 1mm ABS edge. Wood edge has a 1mm wood veneer edge.</p>	<p>Please see page 7 for Cove Table power prices and model codes.</p>	<ul style="list-style-type: none"> Base Height B26 26" B29 28.5" <p>Base size is automatically assigned during order entry.</p>	<ul style="list-style-type: none"> Glide PLASTIC, PG CARPET SOFT PLASTIC, SG FLOOR <p>All glides are adjustable. Soft plastic glides are not designed for sliding tables.</p>	<ul style="list-style-type: none"> Base Set Up F FLAT PACKED A ASSEMBLED +280 	<ul style="list-style-type: none"> Standard Powder Coated Metal MG MEADOW GREEN MK MILK MS METALLIC SILVER NK NICKEL OC OCHRE PY PALE YELLOW RO RED ORANGE RR RUSTY RED SB SOFT BLUE SD SAND TC TERRACOTTA TP TAUPE BL BLUE BM BLACK MATTE CP CHAMPAGNE DB DARK BRONZE DG DARK GRAY DP DUSTY PINK DS DARK SAGE LG LIGHT GRAY LL LILAC GRAY LP LIGHT PISTACHIO LR LIPSTICK RED MB MIDNIGHT BLUE

Cove Tables

MULTI-PURPOSE TABLE: SOFT RECTANGLE

TITLE	SERIES	SHAPE	DEPTH	WIDTH	Top Edge/Finish			REVERSE BEVEL		
					LM1	LM2	WV1	LM1	LM2	WV1
Multi-Purpose Table Soft Rectangle Top Dual Base Height options: 26", 28.5" Optional power through column Height adjustable glides Base ships flat packed or assembled	CVT	SR	42	56	2,658	3,905	4,188	3,664	4,323	4,731
				60	2,665	4,073	4,428	3,809	4,551	5,007
				72	2,892	4,491	5,040	4,158	5,022	5,692
				84	3,268	4,891	5,610	4,490	5,481	6,342
				96	3,348	5,592	6,198	4,844	6,244	6,904
108	3,675	5,734	6,805	5,243	6,473	7,701				



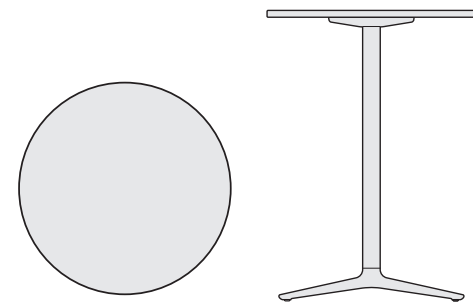
To Order Select Below

1. Series/Style	2. Top Size	3. Top Finish	4. Top Edge Detail	5. Power	6. Base Height	7. Glide	8. Base Set Up	9. Base Finish
<p>● Cove Table Soft Rectangle Top</p> <p>CVTSR</p>	<p>● Top Size</p> <p>42056 42W x 56L 42060 42W x 60L 42072 42W x 72L 42084 42W x 84L 42096 42W x 96L 42108 42W x 108L</p>	<p>● Laminate - Grade 1</p> <p>LM01 DESIGNER WHITE LM02 ALABASTER LM03 WALLABY LM05 DOVE GREY LM06 FASHION GREY LM04 SHADOW LM08 NORTH SEA LM07 SLATE GREY LM09 BLACK LM10 FUSION MAPLE LM11 MONTICELLO MAPLE LM12 RIVER CHERRY LM13 AMBER CHERRY LM14 WALNUT HEIGHTS LM15 MONTANA WALNUT LM16 XANADU LM17 ASIAN NIGHT LM18 CASTLE OAK</p> <p>● Laminate - Grade 2</p> <p>LM41 BIANCO KOS LM42 GRIGIO EFESO LM43 GRIGIO LONDRA LM44 GRIGIO BROMO LM45 NERO INGO</p> <p>● Wood Veneer - Grade 1</p> <p>WV05 TONED ASH WV06 NATURAL MAPLE WV49 NATURAL RECON WHITE OAK WV45 TONED RECON OAK WV44 TONED OAK WV48 NATURAL WHITE WV01 LIGHT GREY WV46 NATURAL FLAT CUT WALNUT WV47 NATURAL RIFT CUT WALNUT WV41 TONED RECON WALNUT WV04 MEDIUM CHERRY WV43 TONED WENGE WV02 WARM GREY WV42 DARK TONED OAK WV03 OPAQUE BLACK</p> <p>● Custom Finish</p> <p>LM99 CUSTOM LAMINATE WV99 CUSTOM WOOD</p> <p>See page 6 for custom laminate and custom wood details.</p>	<p>● Top Edge Detail</p> <p>ST1 STRAIGHT EDGE 1 RB2 REVERSE BEVEL 2</p> <p>ST1 </p> <p>RB2 </p> <p>Grade 1 laminate edge has a 2mm PVC edge. Grade 2 laminate has a 1mm ABS edge. Wood edge has a 1mm wood veneer edge.</p>	<p>● Power</p> <p>Please see page 7 for Cove Table power prices and model codes.</p>	<p>● Base Height</p> <p>B26 26" B29 28.5"</p> <p>Base size is automatically assigned during order entry.</p>	<p>● Glide</p> <p>PLASTIC, PG CARPET SOFT PLASTIC, SG FLOOR</p> <p>All glides are adjustable. Soft plastic glides are not designed for sliding tables.</p>	<p>● Base Set Up</p> <p>F PACKED A ASSEMBLED +280</p>	<p>● Standard Powder Coated Metal</p> <p>BL BLUE BM BLACK MATTE CP CHAMPAGNE DB DARK BRONZE DG DARK GRAY DP DUSTY PINK DS DARK SAGE LG LIGHT GRAY LL LILAC GRAY LP LIGHT PISTACHIO LR LIPSTICK RED MB MIDNIGHT BLUE</p> <p>MG MEADOW GREEN MK MILK MS METALLIC SILVER NK NICKEL OC OCHRE PY PALE YELLOW RO RED ORANGE RR RUSTY RED SB SOFT BLUE SD SAND TC TERRACOTTA TP TAUPE</p>

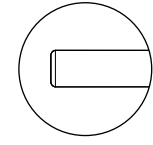
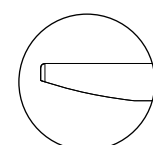
Cove Tables

COUNTER/BAR TABLE: ROUND

TITLE	SERIES	SHAPE	TOP DIAMETER	Top Edge/Finish			REVERSE BEVEL			
				LM1	LM2	WV1	LM1	LM2	WV1	
Counter/Bar Table Round Top Single Base	Height options: 36", 42" Height adjustable glides Base ships flat packed or assembled	CVT	RD	30	1,370	1,999	2,101	2,077	2,292	2,424
				36	1,600	2,307	2,495	2,348	2,637	2,884



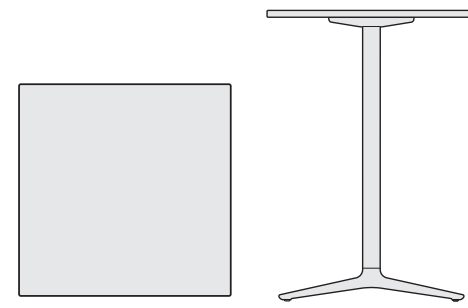
To Order Select Below

1. Series/Style	2. Top Size	3. Top Finish	4. Top Edge Detail	5. Power	6. Base Height	7. Glide	8. Base Set Up	9. Base Finish		
<p>● Cove Table Round Top</p> <p>CVTRD</p>	<p>● Top Size</p> <p>30000 30 DIA. 36000 36 DIA.</p>	<p>● Laminate - Grade 1</p> <p>LM01 DESIGNER WHITE LM02 ALABASTER LM03 WALLABY LM05 DOVE GREY LM06 FASHION GREY LM04 SHADOW LM08 NORTH SEA LM07 SLATE GREY LM09 BLACK LM10 FUSION MAPLE LM11 MONTICELLO MAPLE LM12 RIVER CHERRY LM13 AMBER CHERRY LM14 WALNUT HEIGHTS LM15 MONTANA WALNUT LM16 XANADU LM17 ASIAN NIGHT LM18 CASTLE OAK</p>	<p>● Laminate - Grade 2</p> <p>LM41 BIANCO KOS LM42 GRIGIO EFESO LM43 GRIGIO LONDRA LM44 GRIGIO BROMO LM45 NERO INGO</p> <p>● Custom Finish</p> <p>LM99 CUSTOM LAMINATE WV99 CUSTOM WOOD</p> <p>See page 6 for custom laminate and custom wood details.</p>	<p>● Wood Veneer - Grade 1</p> <p>WV05 TONED ASH WV06 NATURAL MAPLE WV49 NATURAL RECON WHITE OAK WV45 TONED RECON OAK WV44 TONED OAK WV48 NATURAL WHITE WV01 LIGHT GREY WV46 NATURAL FLAT CUT WALNUT WV47 NATURAL RIFT CUT WALNUT WV41 TONED RECON WALNUT WV04 MEDIUM CHERRY WV43 TONED WENGE WV02 WARM GREY WV42 DARK TONED OAK WV03 OPAQUE BLACK</p>	<p>● Top Edge Detail</p> <p>ST1 STRAIGHT EDGE 1 RB2 REVERSE BEVEL 2</p> <p> ST1</p> <p> RB2</p> <p>Grade 1 laminate edge has a 2mm PVC edge. Grade 2 laminate has a 1mm ABS edge. Wood edge has a 1mm wood veneer edge.</p>	<p>● Power</p> <p>Power is unavailable as a standard option for Cove Tables with a single column.</p>	<p>● Base Height</p> <p>B36 36" B42 42"</p> <p>Base size is automatically assigned during order entry.</p>	<p>● Glide</p> <p>PLASTIC, PG CARPET SOFT PLASTIC, SG FLOOR</p> <p>All glides are adjustable. Soft plastic glides are not designed for sliding tables.</p>	<p>● Base Set Up</p> <p>F PACKED A ASSEMBLED +210</p>	<p>● Standard Powder Coated Metal</p> <p>BL BLUE BM BLACK MATTE CP CHAMPAGNE DB DARK BRONZE DG DARK GRAY DP DUSTY PINK DS DARK SAGE LG LIGHT GRAY LL LILAC GRAY LP LIGHT PISTACHIO LR LIPSTICK RED MB MIDNIGHT BLUE</p> <p>MG MEADOW GREEN MK MILK MS METALLIC SILVER NK NICKEL OC OCHRE PY PALE YELLOW RO RED ORANGE RR RUSTY RED SB SOFT BLUE SD SAND TC TERRACOTTA TP TAUPE</p>

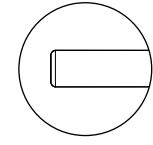
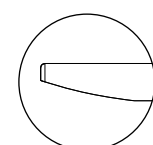
Cove Tables

COUNTER/BAR TABLE: TRUE RECTANGLE

TITLE	SERIES	SHAPE	DEPTH	WIDTH	Top Edge/Finish			REVERSE BEVEL		
					LM1	LM2	WV1	LM1	LM2	WV1
Counter/Bar Table True Rectangle Top Single Base Height options: 36", 42" Height adjustable glides Base ships flat packed or assembled	CVT	TR	24	30	1,323	1,658	1,902	1,912	1,943	2,145
			27	27	1,324	1,962	1,946	1,916	2,242	2,145
			30	30	1,399	2,030	2,043	2,058	2,323	2,369
			36	36	1,620	2,570	2,431	2,340	2,897	2,821



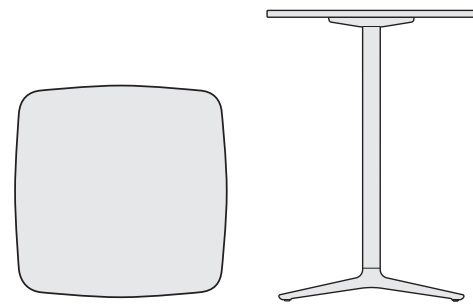
To Order Select Below

1. Series/Style	2. Top Size	3. Top Finish	4. Top Edge Detail	5. Power	6. Base Height	7. Glide	8. Base Set Up	9. Base Finish	
<p>● Top Size</p> <p>CVTR</p> <p>Cove Table True Rectangle Top</p> <p>24030 24W x 30L</p> <p>27027 27W x 27L</p> <p>30030 30W x 30L</p> <p>36036 36W x 36L</p>	<p>● Laminate - Grade 1</p> <p>LM01 DESIGNER WHITE</p> <p>LM02 ALABASTER</p> <p>LM03 WALLABY</p> <p>LM05 DOVE GREY</p> <p>LM06 FASHION GREY</p> <p>LM04 SHADOW</p> <p>LM08 NORTH SEA</p> <p>LM07 SLATE GREY</p> <p>LM09 BLACK</p> <p>LM10 FUSION MAPLE</p> <p>LM11 MONTICELLO MAPLE</p> <p>LM12 RIVER CHERRY</p> <p>LM13 AMBER CHERRY</p> <p>LM14 WALNUT HEIGHTS</p> <p>LM15 MONTANA WALNUT</p> <p>LM16 XANADU</p> <p>LM17 ASIAN NIGHT</p> <p>LM18 CASTLE OAK</p>	<p>● Laminate - Grade 2</p> <p>LM41 BIANCO KOS</p> <p>LM42 GRIGIO EFESO</p> <p>LM43 GRIGIO LONDRA</p> <p>LM44 GRIGIO BROMO</p> <p>LM45 NERO INGO</p> <p>● Custom Finish</p> <p>LM99 CUSTOM LAMINATE</p> <p>WV99 CUSTOM WOOD</p> <p>See page 6 for custom laminate and custom wood details.</p>	<p>● Wood Veneer - Grade 1</p> <p>WV05 TONED ASH</p> <p>WV06 NATURAL MAPLE</p> <p>WV49 NATURAL RECON WHITE OAK</p> <p>WV45 TONED RECON OAK</p> <p>WV44 TONED OAK</p> <p>WV48 NATURAL WHITE</p> <p>WV01 LIGHT GREY</p> <p>WV46 NATURAL FLAT CUT WALNUT</p> <p>WV47 NATURAL RIFT CUT WALNUT</p> <p>WV41 TONED RECON WALNUT</p> <p>WV04 MEDIUM CHERRY</p> <p>WV43 TONED WENGE</p> <p>WV02 WARM GREY</p> <p>WV42 DARK TONED OAK</p> <p>WV03 OPAQUE BLACK</p>	<p>● Top Edge Detail</p> <p>ST1 STRAIGHT EDGE 1</p> <p>RB2 REVERSE BEVEL 2</p> <p> ST1</p> <p> RB2</p> <p>Grade 1 laminate edge has a 2mm PVC edge. Grade 2 laminate has a 1mm ABS edge. Wood edge has a 1mm wood veneer edge.</p>	<p>● Power is unavailable as a standard option for Cove Tables with a single column.</p>	<p>● Base Height</p> <p>B36 36"</p> <p>B42 42"</p> <p>Base size is automatically assigned during order entry.</p>	<p>● Glide</p> <p>PLASTIC, PG CARPET</p> <p>SOFT PLASTIC, SG FLOOR</p> <p>All glides are adjustable. Soft plastic glides are not designed for sliding tables.</p>	<p>● Base Set Up</p> <p>F PACKED</p> <p>A ASSEMBLED +210</p>	<p>● Standard Powder Coated Metal</p> <p>BL BLUE</p> <p>MG MEADOW GREEN</p> <p>BM BLACK MATTE</p> <p>MK MILK</p> <p>CP CHAMPAGNE</p> <p>MS METALLIC SILVER</p> <p>DB DARK BRONZE</p> <p>NK NICKEL</p> <p>DG DARK GRAY</p> <p>OC OCHRE</p> <p>DP DUSTY PINK</p> <p>PY PALE YELLOW</p> <p>DS DARK SAGE</p> <p>RO RED ORANGE</p> <p>LG LIGHT GRAY</p> <p>RR RUSTY RED</p> <p>LL LILAC GRAY</p> <p>SB SOFT BLUE</p> <p>LP LIGHT PISTACHIO</p> <p>SD SAND</p> <p>LR LIPSTICK RED</p> <p>TC TERRACOTTA</p> <p>MB MIDNIGHT BLUE</p> <p>TP TAUPE</p>

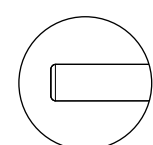
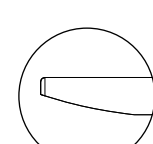
Cove Tables

COUNTER/BAR TABLE: SOFT RECTANGLE

TITLE	SERIES	SHAPE	DEPTH	WIDTH	Top Edge/Finish			REVERSE BEVEL		
					LM1	LM2	WV1	LM1	LM2	WV1
Counter/Bar Table Soft Rectangle Top Single Base Height options: 36", 42" Height adjustable glides Base ships flat packed or assembled	CVT	SR	24	30	1,341	1,637	1,976	1,912	1,943	2,172
			27	27	1,344	1,931	1,873	1,916	2,242	2,172
			30	30	1,419	1,988	2,180	2,044	2,313	2,388
			36	36	1,642	2,528	2,495	2,348	2,903	2,884

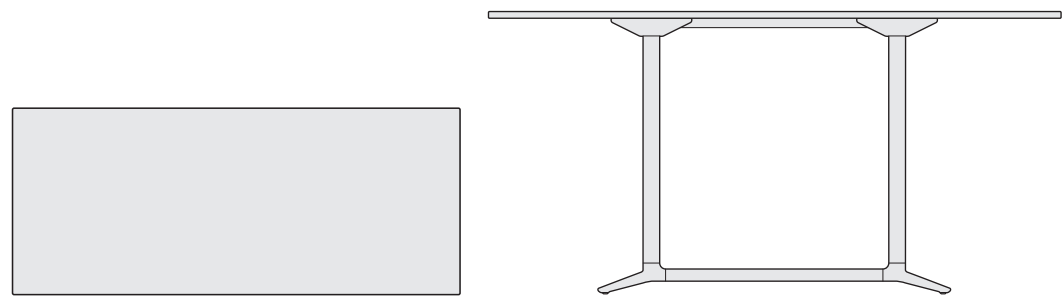


To Order Select Below

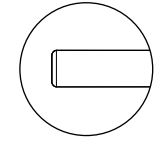
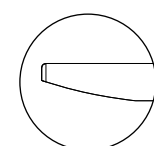
1. Series/Style	2. Top Size	3. Top Finish	4. Top Edge Detail	5. Power	6. Base Height	7. Glide	8. Base Set Up	9. Base Finish		
<ul style="list-style-type: none"> CVTSR Cove Table Soft Rectangle Top 	<ul style="list-style-type: none"> 24030 24W x 30L 27027 27W x 27L 30030 30W x 30L 36036 36W x 36L 	<ul style="list-style-type: none"> Laminate - Grade 1 LM01 DESIGNER WHITE LM02 ALABASTER LM03 WALLABY LM05 DOVE GREY LM06 FASHION GREY LM04 SHADOW LM08 NORTH SEA LM07 SLATE GREY LM09 BLACK LM10 FUSION MAPLE LM11 MONTICELLO MAPLE LM12 RIVER CHERRY LM13 AMBER CHERRY LM14 WALNUT HEIGHTS LM15 MONTANA WALNUT LM16 XANADU LM17 ASIAN NIGHT LM18 CASTLE OAK 	<ul style="list-style-type: none"> Laminate - Grade 2 LM41 BIANCO KOS LM42 GRIGIO EFESO LM43 GRIGIO LONDRA LM44 GRIGIO BROMO LM45 NERO INGO <ul style="list-style-type: none"> Custom Finish LM99 CUSTOM LAMINATE WV99 CUSTOM WOOD <p>See page 6 for custom laminate and custom wood details.</p>	<ul style="list-style-type: none"> Wood Veneer - Grade 1 WV05 TONED ASH WV06 NATURAL MAPLE WV49 NATURAL RECON WHITE OAK WV45 TONED RECON OAK WV44 TONED OAK WV48 NATURAL WHITE WV01 LIGHT GREY WV46 NATURAL FLAT CUT WALNUT WV47 NATURAL RIFT CUT WALNUT WV41 TONED RECON WALNUT WV04 MEDIUM CHERRY WV43 TONED WENGE WV02 WARM GREY WV42 DARK TONED OAK WV03 OPAQUE BLACK 	<ul style="list-style-type: none"> Top Edge Detail ST1 STRAIGHT EDGE 1 RB2 REVERSE BEVEL 2   <p>Grade 1 laminate edge has a 2mm PVC edge. Grade 2 laminate has a 1mm ABS edge. Wood edge has a 1mm wood veneer edge.</p>	<ul style="list-style-type: none"> Power is unavailable as a standard option for Cove Tables with a single column. 	<ul style="list-style-type: none"> Base Height B36 36" B42 42" <p>Base size is automatically assigned during order entry.</p>	<ul style="list-style-type: none"> Glide PLASTIC, PG CARPET SOFT PLASTIC, SG FLOOR <p>All glides are adjustable. Soft plastic glides are not designed for sliding tables.</p>	<ul style="list-style-type: none"> Base Set Up F FLAT PACKED A ASSEMBLED +210 	<ul style="list-style-type: none"> Standard Powder Coated Metal BL BLUE BM BLACK MATTE CP CHAMPAGNE DB DARK BRONZE DG DARK GRAY DP DUSTY PINK DS DARK SAGE LG LIGHT GRAY LL LILAC GRAY LP LIGHT PISTACHIO LR LIPSTICK RED MB MIDNIGHT BLUE MG MEADOW GREEN MK MILK MS METALLIC SILVER NK NICKEL OC OCHRE PY PALE YELLOW RO RED ORANGE RR RUSTY RED SB SOFT BLUE SD SAND TC TERRACOTTA TP TAUPE

Cove Tables

COUNTER/BAR TABLE: TRUE RECTANGLE

TITLE	SERIES	SHAPE	DEPTH	WIDTH	Top Edge/Finish			REVERSE BEVEL		
					LM1	LM2	WV1	LM1	LM2	WV1
Counter/Bar Table True Rectangle Top Dual Base Height options: 36", 42" Optional power through column Height adjustable glides Base ships flat packed or assembled 	CVT	TR	30	56	2,664	3,903	3,797	3,552	4,259	4,241
				60	2,669	4,222	3,943	3,631	4,582	4,404
				72	2,877	4,681	4,452	3,966	5,073	4,977
				84	2,913	5,100	4,897	4,254	5,520	5,474
				96	3,071	5,539	5,323	4,563	5,992	5,957
				108	3,321	5,979	5,810	4,875	6,460	6,497
			36	56	2,815	4,124	4,105	3,769	4,511	4,601
				60	2,822	4,153	4,279	3,863	4,555	4,801
				72	3,047	4,748	4,830	4,208	5,185	5,419
				84	3,438	5,205	5,375	4,565	5,674	6,036
				96	3,511	5,654	5,867	4,913	6,162	6,591
				108	3,851	6,110	6,423	5,261	6,650	7,221

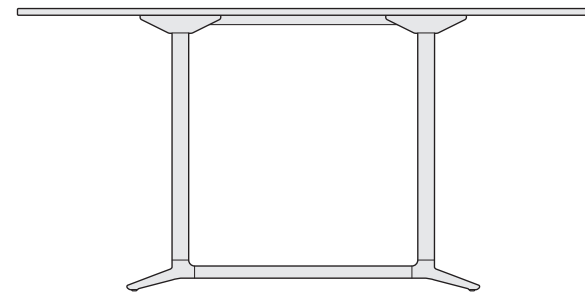
To Order Select Below

1. Series/Style	2. Top Size	3. Top Finish	4. Top Edge Detail	5. Power	6. Base Height	7. Glide	8. Base Set Up	9. Base Finish		
<ul style="list-style-type: none"> CVTR Cove Table True Rectangle Top 	<ul style="list-style-type: none"> 30056 30W x 56L 30060 30W x 60L 30072 30W x 72L 30084 30W x 84L 30096 30W x 96L 30108 30W x 108L 36056 36W x 56L 36060 36W x 60L 36072 36W x 72L 36084 36W x 84L 36096 36W x 96L 36108 36W x 108L 	<ul style="list-style-type: none"> Laminate - Grade 1 LM01 DESIGNER WHITE LM02 ALABASTER LM03 WALLABY LM05 DOVE GREY LM06 FASHION GREY LM04 SHADOW LM08 NORTH SEA LM07 SLATE GREY LM09 BLACK LM10 FUSION MAPLE LM11 MONTICELLO MAPLE LM12 RIVER CHERRY LM13 AMBER CHERRY LM14 WALNUT HEIGHTS LM15 MONTANA WALNUT LM16 XANADU LM17 ASIAN NIGHT LM18 CASTLE OAK 	<ul style="list-style-type: none"> Laminate - Grade 2 LM41 BIANCO KOS LM42 GRIGIO EFESO LM43 GRIGIO LONDRA LM44 GRIGIO BROMO LM45 NERO INGO Custom Finish LM99 CUSTOM LAMINATE WV99 CUSTOM WOOD <p>See page 6 for custom laminate and custom wood details.</p>	<ul style="list-style-type: none"> Wood Veneer - Grade 1 WV05 TONED ASH WV06 NATURAL MAPLE WV49 NATURAL RECON WHITE OAK WV45 TONED RECON OAK WV44 TONED OAK WV48 NATURAL WHITE WV01 LIGHT GREY WV46 NATURAL FLAT CUT WALNUT WV47 NATURAL RIFT CUT WALNUT WV41 TONED RECON WALNUT WV04 MEDIUM CHERRY WV43 TONED WENGE WV02 WARM GREY WV42 DARK TONED OAK WV03 OPAQUE BLACK 	<ul style="list-style-type: none"> Top Edge Detail ST1 STRAIGHT EDGE 1 RB2 REVERSE BEVEL 2   <p>Grade 1 laminate edge has a 2mm PVC edge. Grade 2 laminate has a 1mm ABS edge. Wood edge has a 1mm wood veneer edge.</p>	<ul style="list-style-type: none"> Power Please see page 7 for Cove Table power prices and model codes. 	<ul style="list-style-type: none"> Base Height B36 36" B42 42" Base size is automatically assigned during order entry. 	<ul style="list-style-type: none"> Glide PLASTIC, PG CARPET SOFT PLASTIC, SG FLOOR All glides are adjustable. Soft plastic glides are not designed for sliding tables. 	<ul style="list-style-type: none"> Base Set Up F FLAT PACKED A ASSEMBLED +418 	<ul style="list-style-type: none"> Standard Powder Coated Metal BL BLUE BM BLACK MATTE CP CHAMPAGNE DB DARK BRONZE DG DARK GRAY DP DUSTY PINK DS DARK SAGE LG LIGHT GRAY LL LILAC GRAY LP LIGHT PISTACHIO LR LIPSTICK RED MB MIDNIGHT BLUE MG MEADOW GREEN MK MILK MS METALLIC SILVER NK NICKEL OC OCHRE PY PALE YELLOW RO RED ORANGE RR RUSTY RED SB SOFT BLUE SD SAND TC TERRACOTTA TP TAUPE

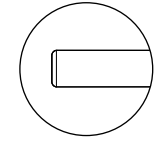
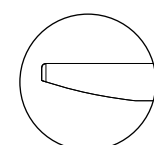
Cove Tables

COUNTER/BAR TABLE: TRUE RECTANGLE

TITLE	SERIES	SHAPE	DEPTH	WIDTH	Top Edge/Finish			REVERSE BEVEL		
					LM1	LM2	WV1	LM1	LM2	WV1
Counter/Bar Table True Rectangle Top Dual Base Height options: 36", 42" Optional power through column Height adjustable glides Base ships flat packed or assembled	CVT	TR	42	56	2,854	4,203	4,411	3,985	4,619	4,963
				60	2,857	4,379	4,613	4,092	4,817	5,190
				72	3,077	4,864	5,265	4,507	5,344	5,926
				84	3,454	5,310	5,854	4,874	5,828	6,588
				96	3,533	6,063	6,409	5,262	6,617	7,224
			108	3,856	6,236	7,039	5,653	6,845	7,925	

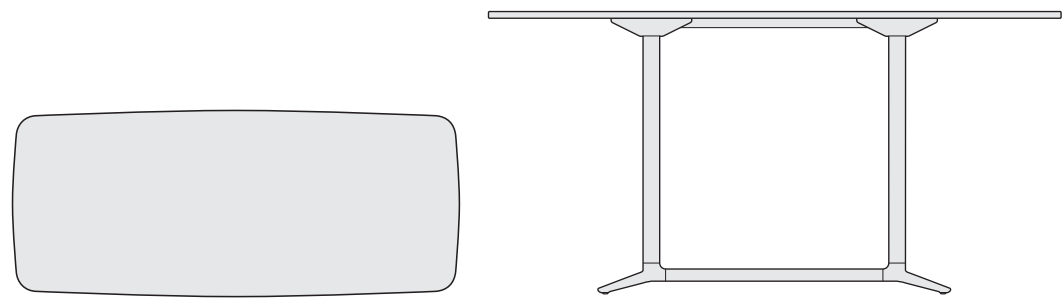


To Order Select Below

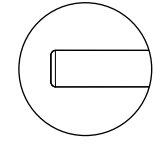
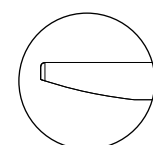
1. Series/Style	2. Top Size	3. Top Finish	4. Top Edge Detail	5. Power	6. Base Height	7. Glide	8. Base Set Up	9. Base Finish		
<ul style="list-style-type: none"> CVTR Cove Table True Rectangle Top 	<ul style="list-style-type: none"> 42056 42W x 56L 42060 42W x 60L 42072 42W x 72L 42084 42W x 84L 42096 42W x 96L 42108 42W x 108L 	<ul style="list-style-type: none"> Laminate - Grade 1 LM01 DESIGNER WHITE LM02 ALABASTER LM03 WALLABY LM05 DOVE GREY LM06 FASHION GREY LM04 SHADOW LM08 NORTH SEA LM07 SLATE GREY LM09 BLACK LM10 FUSION MAPLE LM11 MONTICELLO MAPLE LM12 RIVER CHERRY LM13 AMBER CHERRY LM14 WALNUT HEIGHTS LM15 MONTANA WALNUT LM16 XANADU LM17 ASIAN NIGHT LM18 CASTLE OAK 	<ul style="list-style-type: none"> Laminate - Grade 2 LM41 BIANCO KOS LM42 GRIGIO EFESO LM43 GRIGIO LONDRA LM44 GRIGIO BROMO LM45 NERO INGO Custom Finish LM99 CUSTOM LAMINATE WV99 CUSTOM WOOD <p>See page 6 for custom laminate and custom wood details.</p>	<ul style="list-style-type: none"> Wood Veneer - Grade 1 WV05 TONED ASH WV06 NATURAL MAPLE WV49 NATURAL RECON WHITE OAK WV45 TONED RECON OAK WV44 TONED OAK WV48 NATURAL WHITE WV01 LIGHT GREY WV46 NATURAL FLAT CUT WALNUT WV47 NATURAL RIFT CUT WALNUT WV41 TONED RECON WALNUT WV04 MEDIUM CHERRY WV43 TONED WENGE WV02 WARM GREY WV42 DARK TONED OAK WV03 OPAQUE BLACK 	<ul style="list-style-type: none"> Top Edge Detail ST1 STRAIGHT EDGE 1 RB2 REVERSE BEVEL 2   <p>Grade 1 laminate edge has a 2mm PVC edge. Grade 2 laminate has a 1mm ABS edge. Wood edge has a 1mm wood veneer edge.</p>	<p>Please see page 7 for Cove Table power prices and model codes.</p>	<ul style="list-style-type: none"> Base Height B36 36" B42 42" <p>Base size is automatically assigned during order entry.</p>	<ul style="list-style-type: none"> Glide PG PLASTIC, CARPET SG SOFT PLASTIC, FLOOR <p>All glides are adjustable. Soft plastic glides are not designed for sliding tables.</p>	<ul style="list-style-type: none"> Base Set Up F FLAT PACKED A ASSEMBLED +418 	<ul style="list-style-type: none"> Standard Powder Coated Metal MG MEADOW GREEN MK MILK MS METALLIC SILVER NK NICKEL OC OCHRE PY PALE YELLOW RO RED ORANGE RR RUSTY RED SB SOFT BLUE SD SAND TC TERRACOTTA TP TAUPE BL BLUE BM BLACK MATTE CP CHAMPAGNE DB DARK BRONZE DG DARK GRAY DP DUSTY PINK DS DARK SAGE LG LIGHT GRAY LL LILAC GRAY LP LIGHT PISTACHIO LR LIPSTICK RED MB MIDNIGHT BLUE

Cove Tables

COUNTER/BAR TABLE: SOFT RECTANGLE

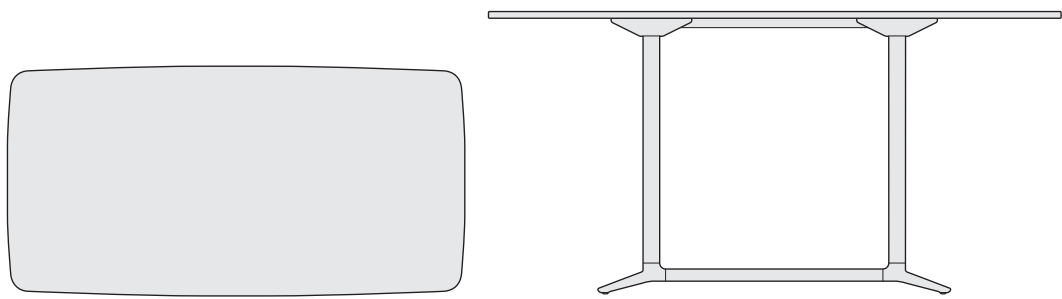
TITLE	SERIES	SHAPE	DEPTH	WIDTH	Top Edge/Finish			REVERSE BEVEL		
					LM1	LM2	WV1	LM1	LM2	WV1
Counter/Bar Table Soft Rectangle Top Dual Base Height options: 36", 42" Optional power through column Height adjustable glides Base ships flat packed or assembled 	CVT	SR	30	56	2,695	3,825	3,850	3,536	4,244	4,293
				60	2,698	4,121	3,987	3,606	4,561	4,457
				72	2,906	4,570	4,514	3,938	5,052	5,030
				84	3,029	4,958	4,942	4,204	5,478	5,519
				96	3,099	5,366	5,361	4,490	5,930	5,957
				108	3,353	5,769	5,836	4,776	6,384	6,703
			36	56	2,845	4,024	4,149	3,730	4,480	4,646
				60	2,851	4,048	4,313	3,813	4,520	4,839
				72	3,077	4,559	4,813	4,088	5,088	5,399
				84	3,470	5,031	5,410	4,481	5,607	6,070
				96	3,544	5,450	5,893	4,798	6,075	6,562
				108	3,886	5,864	6,433	5,122	6,538	7,229

To Order Select Below

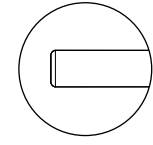
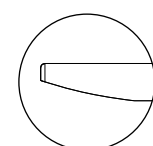
1. Series/Style	2. Top Size	3. Top Finish	4. Top Edge Detail	5. Power	6. Base Height	7. Glide	8. Base Set Up	9. Base Finish
<ul style="list-style-type: none"> CVTSR Cove Table Soft Rectangle Top 	<ul style="list-style-type: none"> 30056 30W x 56L 30060 30W x 60L 30072 30W x 72L 30084 30W x 84L 30096 30W x 96L 30108 30W x 108L 36056 36W x 56L 36060 36W x 60L 36072 36W x 72L 36084 36W x 84L 36096 36W x 96L 36108 36W x 108L 	<ul style="list-style-type: none"> Laminate - Grade 1 LM01 DESIGNER WHITE LM02 ALABASTER LM03 WALLABY LM05 DOVE GREY LM06 FASHION GREY LM04 SHADOW LM08 NORTH SEA LM07 SLATE GREY LM09 BLACK LM10 FUSION MAPLE LM11 MONTICELLO MAPLE LM12 RIVER CHERRY LM13 AMBER CHERRY LM14 WALNUT HEIGHTS LM15 MONTANA WALNUT LM16 XANADU LM17 ASIAN NIGHT LM18 CASTLE OAK <ul style="list-style-type: none"> Laminate - Grade 2 LM41 BIANCO KOS LM42 GRIGIO EFESO LM43 GRIGIO LONDRA LM44 GRIGIO BROMO LM45 NERO INGO <ul style="list-style-type: none"> Wood Veneer - Grade 1 WV05 TONED ASH WV06 NATURAL MAPLE WV49 NATURAL RECON WHITE OAK WV45 TONED RECON OAK WV44 TONED OAK WV48 NATURAL WHITE WV01 LIGHT GREY WV46 NATURAL FLAT CUT WALNUT WV47 NATURAL RIFT CUT WALNUT WV41 TONED RECON WALNUT WV04 MEDIUM CHERRY WV43 TONED WENGE WV02 WARM GREY WV42 DARK TONED OAK WV03 OPAQUE BLACK <ul style="list-style-type: none"> Custom Finish LM99 CUSTOM LAMINATE WV99 CUSTOM WOOD <p>See page 6 for custom laminate and custom wood details.</p>	<ul style="list-style-type: none"> Top Edge Detail ST1 STRAIGHT EDGE 1 RB2 REVERSE BEVEL 2   <p>Grade 1 laminate edge has a 2mm PVC edge. Grade 2 laminate has a 1mm ABS edge. Wood edge has a 1mm wood veneer edge.</p>	<p>Please see page 7 for Cove Table power prices and model codes.</p>	<ul style="list-style-type: none"> Base Height B36 36" B42 42" <p>Base size is automatically assigned during order entry.</p>	<ul style="list-style-type: none"> Glide PG PLASTIC, CARPET SG SOFT PLASTIC, FLOOR <p>All glides are adjustable. Soft plastic glides are not designed for sliding tables.</p>	<ul style="list-style-type: none"> Base Set Up F FLAT PACKED A ASSEMBLED +418 	<ul style="list-style-type: none"> Standard Powder Coated Metal MG MEADOW GREEN MK MILK MS METALLIC SILVER NK NICKEL OC OCHRE PY PALE YELLOW RO RED ORANGE RR RUSTY RED SB SOFT BLUE SD SAND TC TERRACOTTA TP TAUPE BL BLUE BM BLACK MATTE CP CHAMPAGNE DB DARK BRONZE DG DARK GRAY DP DUSTY PINK DS DARK SAGE LG LIGHT GRAY LL LILAC GRAY LP LIGHT PISTACHIO LR LIPSTICK RED MB MIDNIGHT BLUE

Cove Tables

COUNTER/BAR TABLE: SOFT RECTANGLE

TITLE	SERIES	SHAPE	DEPTH	WIDTH	Top Edge/Finish			REVERSE BEVEL		
					LM1	LM2	WV1	LM1	LM2	WV1
Counter/Bar Table Soft Rectangle Top Dual Base Height options: 36", 42" Optional power through column Height adjustable glides Base ships flat packed or assembled 	CVT	SR	42	56	2,872	4,119	4,402	3,878	4,537	4,945
				60	2,876	4,284	4,639	4,020	4,762	5,218
				72	3,108	4,707	5,256	4,374	5,238	5,908
				84	3,486	5,109	5,828	4,708	5,699	6,560
				96	3,568	5,812	6,418	5,064	6,464	7,124
			108	3,899	5,958	7,029	5,467	6,697	7,925	

To Order Select Below

1. Series/Style	2. Top Size	3. Top Finish	4. Top Edge Detail	5. Power	6. Base Height	7. Glide	8. Base Set Up	9. Base Finish		
<ul style="list-style-type: none"> CVTSR Cove Table Soft Rectangle Top 	<ul style="list-style-type: none"> 42056 42W x 56L 42060 42W x 60L 42072 42W x 72L 42084 42W x 84L 42096 42W x 96L 42108 42W x 108L 	<ul style="list-style-type: none"> Laminate - Grade 1 LM01 DESIGNER WHITE LM02 ALABASTER LM03 WALLABY LM05 DOVE GREY LM06 FASHION GREY LM04 SHADOW LM08 NORTH SEA LM07 SLATE GREY LM09 BLACK LM10 FUSION MAPLE LM11 MONTICELLO MAPLE LM12 RIVER CHERRY LM13 AMBER CHERRY LM14 WALNUT HEIGHTS LM15 MONTANA WALNUT LM16 XANADU LM17 ASIAN NIGHT LM18 CASTLE OAK 	<ul style="list-style-type: none"> Laminate - Grade 2 LM41 BIANCO KOS LM42 GRIGIO EFESO LM43 GRIGIO LONDRA LM44 GRIGIO BROMO LM45 NERO INGO Custom Finish LM99 CUSTOM LAMINATE WV99 CUSTOM WOOD <p>See page 6 for custom laminate and custom wood details.</p>	<ul style="list-style-type: none"> Wood Veneer - Grade 1 WV05 TONED ASH WV06 NATURAL MAPLE WV49 NATURAL RECON WHITE OAK WV45 TONED RECON OAK WV44 TONED OAK WV48 NATURAL WHITE WV01 LIGHT GREY WV46 NATURAL FLAT CUT WALNUT WV47 NATURAL RIFT CUT WALNUT WV41 TONED RECON WALNUT WV04 MEDIUM CHERRY WV43 TONED WENGE WV02 WARM GREY WV42 DARK TONED OAK WV03 OPAQUE BLACK 	<ul style="list-style-type: none"> Top Edge Detail ST1 STRAIGHT EDGE 1 RB2 REVERSE BEVEL 2   <p>Grade 1 laminate edge has a 2mm PVC edge. Grade 2 laminate has a 1mm ABS edge. Wood edge has a 1mm wood veneer edge.</p>	<ul style="list-style-type: none"> Power Please see page 7 for Cove Table power prices and model codes. 	<ul style="list-style-type: none"> Base Height B36 36" B42 42" <p>Base size is automatically assigned during order entry.</p>	<ul style="list-style-type: none"> Glide PLASTIC, PG CARPET SOFT PLASTIC, SG FLOOR <p>All glides are adjustable. Soft plastic glides are not designed for sliding tables.</p>	<ul style="list-style-type: none"> Base Set Up F FLAT PACKED A ASSEMBLED +418 	<ul style="list-style-type: none"> Standard Powder Coated Metal BL BLUE BM BLACK MATTE CP CHAMPAGNE DB DARK BRONZE DG DARK GRAY DP DUSTY PINK DS DARK SAGE LG LIGHT GRAY LL LILAC GRAY LP LIGHT PISTACHIO LR LIPSTICK RED MB MIDNIGHT BLUE MG MEADOW GREEN MK MILK MS METALLIC SILVER NK NICKEL OC OCHRE PY PALE YELLOW RO RED ORANGE RR RUSTY RED SB SOFT BLUE SD SAND TC TERRACOTTA TP TAUPE