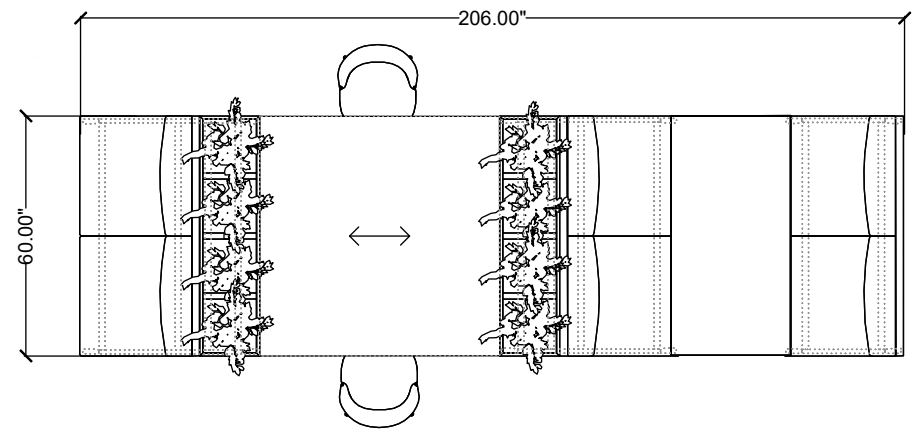


# stylex

## FREE ADDRESS 05



Materials priced in Grade B Fabric. This specification is for budget purposes and reflects list pricing.



**FREE ADDRESS 05**

<b>LINE</b>	<b>PART NUMBER</b>	<b>PART DESCRIPTION</b>	<b>QTY</b>	<b>LIST</b>	<b>EXT. LIST</b>
1	FA12S	Free Address, 29H, Double Seat, Standard Seam	3	\$3,941.00	\$11,823.00
2	FA5DRS6060	Free Address, Table Run, 29in Desk Height, 60D x 60W, Start	1	\$2,868.00	\$2,868.00
3	FA6P4H29	Free Address, Planter, 29H x 15D x 60W, Quad	2	\$5,236.00	\$10,472.00
4	FA8SD30L60	Free Address, Frame, 30D x 60W	1	\$1,250.00	\$1,250.00
5	FA8SD45L60	Free Address, Frame, 45D x 60W	2	\$1,797.00	\$3,594.00
6	OB-TR30060-ST1-B29	Obair Multi-Purpose Table with Dual Base - True Rectangle 30x60" Straight Edge	1	\$2,854.00	\$2,854.00
7	UL1110	Underline Chair, Armless, Four Leg Metal	2	\$1,107.00	\$2,214.00

**Quote Total: \$35,075.00**