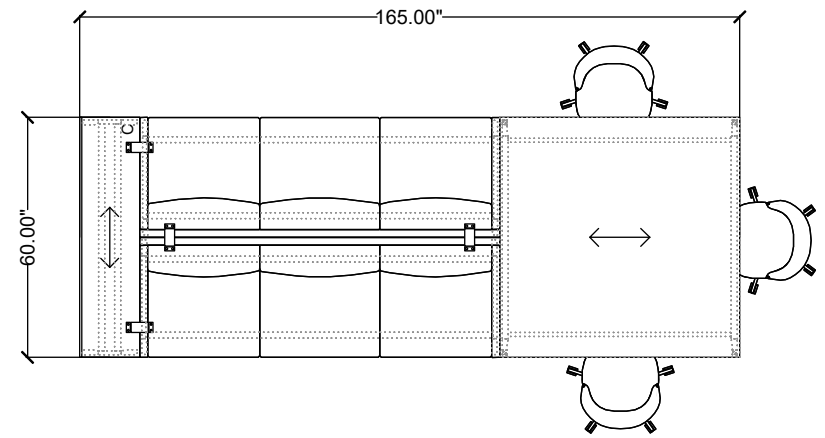


stylex

FREE ADDRESS 07



Materials priced in Grade B Fabric. This specification is for budget purposes and reflects list pricing.



FREE ADDRESS 07

LINE	PART NUMBER	PART DESCRIPTION	QTY	LIST	EXT. LIST
1	UL1150	Underline Chair, Armless, 5 Blade	3	\$1,236.00	\$3,708.00
2	FA13SE29B	Free Address, 29H, Triple Seat, Standard Seam, End Panel Both	2	\$6,364.00	\$12,728.00
3	FA5D6060	Free Address, Table, 29in Desk Height, 60D x 60W	1	\$2,868.00	\$2,868.00
4	FA6C4H29	Free Address, Cubby, 29H x 15D x 60W, Quad	1	\$2,922.00	\$2,922.00
5	FAFG1	Free Address, Ganging Bracket, Style 1	4	\$59.00	\$236.00
6	FA8SD15L60	Free Address, Frame, 15D x 60W	1	\$1,039.00	\$1,039.00
7	FA8SD30L90	Free Address, Frame, 30D x 90W	2	\$1,412.00	\$2,824.00

Quote Total: \$26,325.00