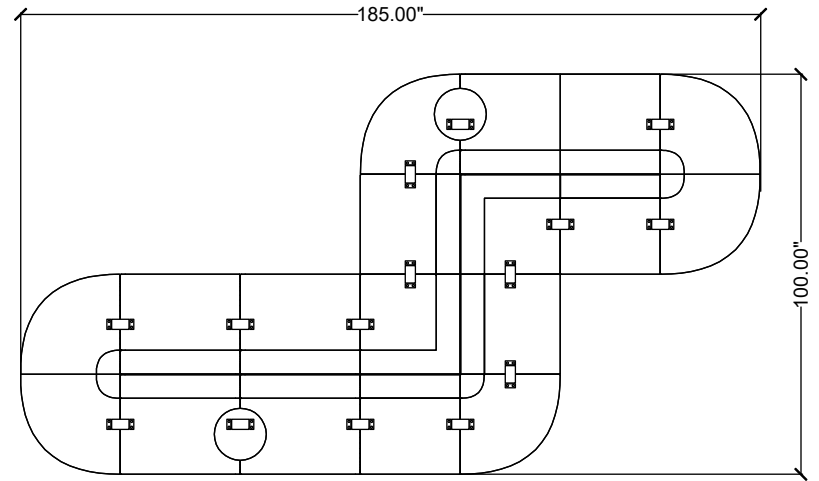


stylex

LUNA 09



Materials priced in Grade B Fabric. This specification is for budget purposes and reflects list pricing.



LUNA 09

LINE	PART NUMBER	PART DESCRIPTION	QTY	LIST	EXT. LIST
1	LN71	Luna, Round Tray Table	2	\$523.00	\$1,046.00
2	LNP11L25	Luna, Plinth, Standard, Low Back, 25in Long, Standard Uph	4	\$2,953.00	\$11,812.00
3	LNP11L30	Luna, Plinth, Standard, Low Back, 30in Long, Standard Uph	1	\$2,953.00	\$2,953.00
4	LNP11L30	Luna, Plinth, Standard, Low Back, 30in Long, Standard Uph	3	\$2,953.00	\$8,859.00
5	LNP11L50	Luna, Plinth, Standard, Low Back, 50in Long, Standard Uph	1	\$3,850.00	\$3,850.00
6	LNP42L25	Luna, Plinth, Square Inside Corner, Low Back, Standard Uph	2	\$3,234.00	\$6,468.00
7	LNP51L25	Luna, Plinth, Round Outside Corner, Low Back, Standard Uph	1	\$2,317.00	\$2,317.00
8	LNP51L25	Luna, Plinth, Round Outside Corner, Low Back, Standard Uph	1	\$2,317.00	\$2,317.00
9	LNP52L50	Luna, Plinth, Round End Cap, Low Back, 50in Long, Standard Uph	2	\$3,889.00	\$7,778.00
				Quote Total:	\$47,400.00