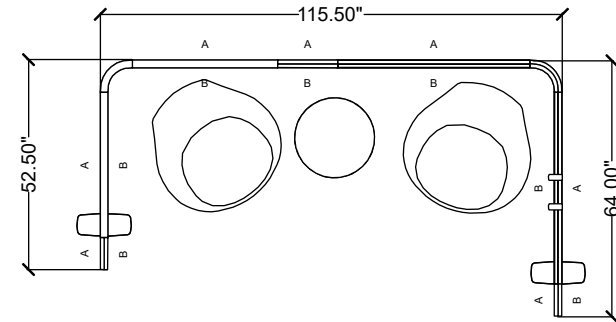


stylex

STILL 05



Materials priced in Grade B Fabric. This specification is for budget purposes and reflects list pricing.



STILL 05

LINE	PART NUMBER	PART DESCRIPTION	QTY	LIST	EXT. LIST
1	ADB24T20SW	Adorn B24 in, T20 in, Solid Wood	1	\$1,437.00	\$1,437.00
2	CV352	Cove High Back, Wood Base	2	\$3,816.00	\$7,632.00
3	STA01	Still Screens, Accessories, Hook	2	\$40.00	\$80.00
4	STB01	Still Screens, Base, Small	2	\$128.00	\$256.00
5	STU10H59	Still Screens, End Cap, Uph. Screen, 59in Height	1	\$846.00	\$846.00
6	STW01H59W36	Still Screens, 36in Width, Wood Screen, 59in Height	2	\$2,932.00	\$5,864.00
7	STW02H59	Still Screens, 90 Degree Corner, Wood Screen, 59in Height	1	\$1,295.00	\$1,295.00
8	STU01H70W48	Still Screens, 48in Width, Uph. Screen, 70in Height	2	\$2,161.00	\$4,322.00
9	STU02H70W15	Still Screens, Transition, Uph. Screen, 70in Height	1	\$1,340.00	\$1,340.00
10	STU20H70	Still Screens, 90 Degree, Uph. Screen, 70in Height	1	\$1,338.00	\$1,338.00
11	STU10H70	Still Screens, End Cap, Uph. Screen, 70in Height	1	\$943.00	\$943.00
				Quote Total:	\$25,353.00