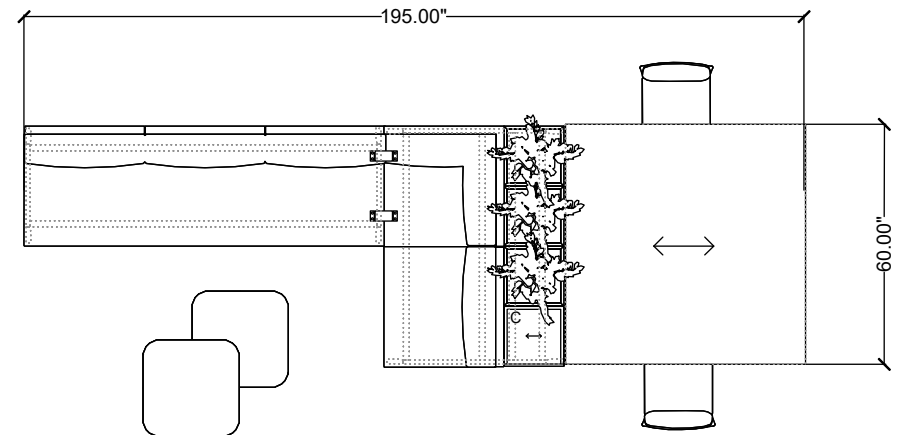


stylex

FREE ADDRESS 04



Materials priced in Grade B Fabric. This specification is for budget purposes and reflects list pricing.



FREE ADDRESS 04

LINE	PART NUMBER	PART DESCRIPTION	QTY	LIST	EXT. LIST
1	TR242414OLM	Trim, Coffee Table, 24D x 24W x 14H, Open Base, Laminate	1	\$1,444.00	\$1,444.00
2	TR242412OLM	Trim, Coffee Table, 24D x 24W x 12H, Open Base, Laminate	1	\$1,438.00	\$1,438.00
3	DL411	Dela, Bar Stool 4-Leg, Fully Upholstered	2	\$1,468.00	\$2,936.00
4	FA31S	Free Address, 42H, Single Seat, Standard Seam	1	\$2,798.00	\$2,798.00
5	FA33S	Free Address, 42H, Triple Seat, Standard Seam	1	\$6,375.00	\$6,375.00
6	FA34S	Free Address, 42H, Corner Seat, Standard Seam	1	\$3,703.00	\$3,703.00
7	FA5B6060	Free Address 42in Bar Height, 60D x 60W	1	\$3,357.00	\$3,357.00
8	FA6C1H42	Free Address, Cubby, 42H x 15D x 15W, Single	1	\$2,321.00	\$2,321.00
9	FA6P1H42	Free Address, Planter, 42H x 15D x 15W, Single	3	\$1,929.00	\$5,787.00
10	FA8SD30L90	Free Address, Frame, 30D x 90W	1	\$1,412.00	\$1,412.00
11	FA8SD45L60	Free Address, Frame, 45D x 60W	1	\$1,797.00	\$1,797.00
12	FAFG1	Free Address, Ganging Bracket, Style 1	2	\$59.00	\$118.00

Quote Total: \$33,486.00