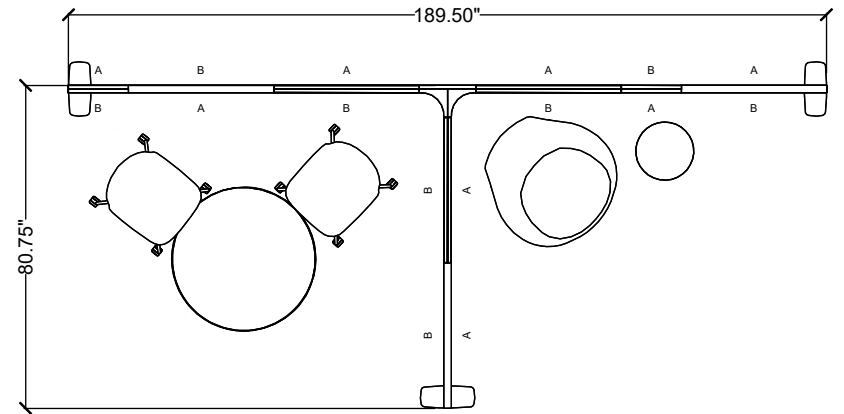


stylex

STILL 04



Materials priced in Grade B Fabric. This specification is for budget purposes and reflects list pricing.

stylex

STILL 04

LINE	PART NUMBER	PART DESCRIPTION	QTY	LIST	EXT. LIST
1	VR31140	Verve, Fully Upholstered, Four Blade Fixed	2	\$1,227.00	\$2,454.00
2	CV372	Cove High Back, Four Blade	1	\$3,230.00	\$3,230.00
3	OB-RD36000-ST1-B29	Obair Multi-Purpose Table with Single Base - Round 36" Straight Edge	1	\$1,862.00	\$1,862.00
4	UM283	Umo Side Table, Maple	1	\$1,589.00	\$1,589.00
5	STB01	Still Screens, Base, Small	3	\$128.00	\$384.00
6	STU01H70W36	Still Screens, 36in Width, Uph. Screen, 70in Height	3	\$2,073.00	\$6,219.00
7	STU02H70W15	Still Screens, Transition, Uph. Screen, 70in Height	1	\$1,340.00	\$1,340.00
8	STU02H70W15	Still Screens, Transition, Uph. Screen, 70in Height	1	\$1,340.00	\$1,340.00
9	STU22H70	Still Screens, 3-Way T, Uph. Screen, 70in Height	1	\$1,847.00	\$1,847.00
10	STW01H59W36	Still Screens, 36in Width, Wood Screen, 59in Height	1	\$2,932.00	\$2,932.00
11	STW01H70W36	Still Screens, 36in Width, Wood Screen, 70in Height	1	\$3,293.00	\$3,293.00
12	STW01H70W36	Still Screens, 36in Width, Wood Screen, 70in Height	1	\$3,293.00	\$3,293.00
				Quote Total:	\$29,783.00