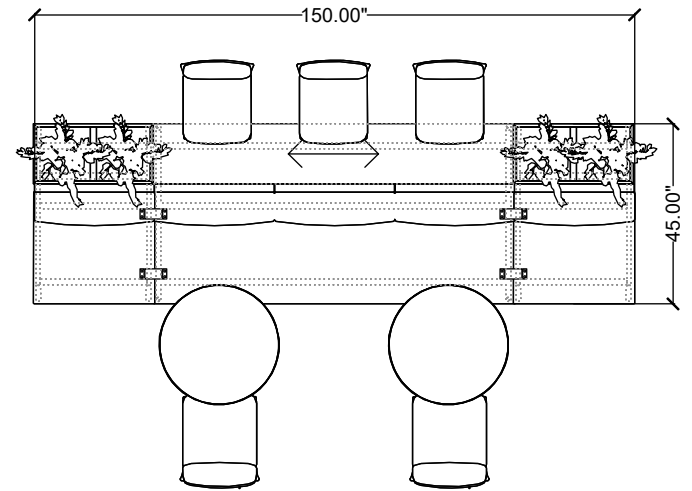


# stylex

FREE ADDRESS 08



Materials priced in Grade B Fabric. This specification is for budget purposes and reflects list pricing.



## FREE ADDRESS 08

LINE	PART NUMBER	PART DESCRIPTION	QTY	LIST	EXT. LIST
1	DL111	Dela, Guest 4-Leg Armless, Fully Upholstered	2	\$1,269.00	\$2,538.00
2	DL411	Dela, Bar Stool 4-Leg, Fully Upholstered	3	\$1,468.00	\$4,404.00
3	FA21S	Free Address, 36H, Single Seat, Standard Seam	2	\$2,578.00	\$5,156.00
4	FA23S	Free Address, 36H, Triple Seat, Standard Seam	1	\$6,252.00	\$6,252.00
5	FA5L1590	Free Address, Ledge Top, 15D x 90W	1	\$799.00	\$799.00
6	FA6P2H36	Free Address, Planter, 36H x 15D x 30W, Double	2	\$2,927.00	\$5,854.00
7	FAFG1	Free Address, Ganging Bracket, Style 1	4	\$59.00	\$236.00
8	FA8LH36L90	Free Address, Frame, Seat with Ledge, 36H x 90W x 45D	1	\$2,118.00	\$2,118.00
9	FA8SD45L30	Free Address, Frame, 45D x 30W	2	\$1,424.00	\$2,848.00
10	OB-RD30000-ST1-B29	Obair Multi-Purpose Table with Single Base - Round 30" Straight Edge	2	\$1,442.00	\$2,884.00
				<b>Quote Total:</b>	<b>\$33,089.00</b>