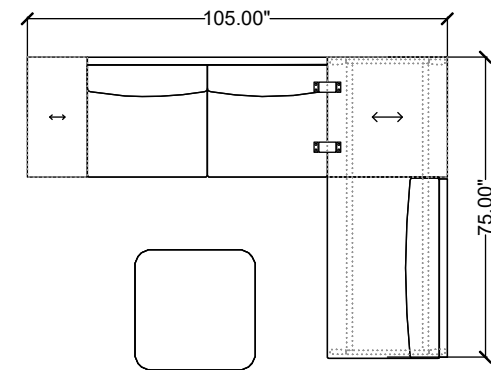


# stylex

FREE ADDRESS 06



Materials priced in Grade B Fabric. This specification is for budget purposes and reflects list pricing.



## FREE ADDRESS 06

LINE	PART NUMBER	PART DESCRIPTION	QTY	LIST	EXT. LIST
1	FA115S	Free Address, 29H, Single Plus Seat, Standard Seam	1	\$2,826.00	\$2,826.00
2	FA12S	Free Address, 29H, Double Seat, Standard Seam	1	\$3,941.00	\$3,941.00
3	FA5S3015	Free Address, Table Top, 30D x 15W	1	\$355.00	\$355.00
4	FA5S3030	Free Address, Table Top, 30D x 30W	1	\$597.00	\$597.00
5	FAFG1	Free Address, Ganging Bracket, Style 1	2	\$59.00	\$118.00
6	FA8SD30L75	Free Address, Frame, 30D x 75W	2	\$1,355.00	\$2,710.00
7	TR303016CLM	Trim, Coffee Table, 30D x 30W x 16H, Closed Base, Laminate	1	\$1,658.00	\$1,658.00

**Quote Total: \$12,205.00**