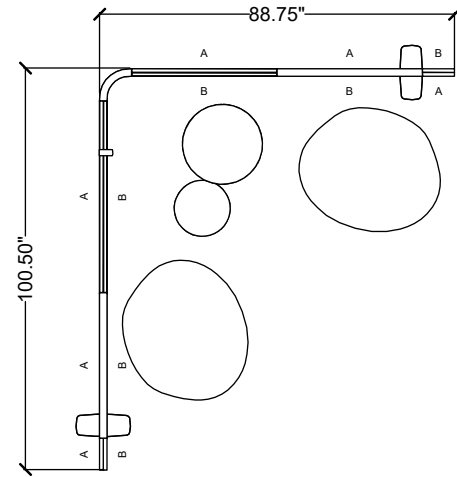


# stylex

## STILL 03



Materials priced in Grade B Fabric. This specification is for budget purposes and reflects list pricing.



### STILL 03

LINE	PART NUMBER	PART DESCRIPTION	QTY	LIST	EXT. LIST
1	ADB16T14SW	Adorn B16 in, T14 in, Solid Wood	1	\$1,062.00	\$1,062.00
2	ADB24T20SW	Adorn B24 in, T20 in, Solid Wood	1	\$1,437.00	\$1,437.00
3	CV452	Cove Lounge, Wood Base	2	\$3,467.00	\$6,934.00
4	STA01	Still Screens, Accessories, Hook	1	\$40.00	\$40.00
5	STB01	Still Screens, Base, Small	2	\$128.00	\$256.00
6	STU10H70	Still, End Cap, Uph. Screen, 70in Height	2	\$907.00	\$1,814.00
7	STW01H70W36	Still, 36in Width, Wood Screen, 70in Height	2	\$3,166.00	\$6,332.00
8	STU01H70W48	Still, 48in Width, Uph. Screen, 70in Height	1	\$2,078.00	\$2,078.00
9	STW02H70	Still, 90 Degree Corner, Wood Screen, 70in Height	1	\$1,345.00	\$1,345.00
10	STU01H70W36	Still, 36in Width, Uph. Screen, 70in Height	1	\$1,993.00	\$1,993.00
				<b>Quote Total:</b>	<b>\$23,291.00</b>