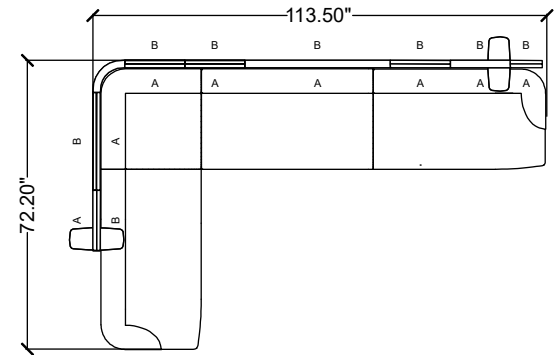


# stylex

## LUNA 04



Materials priced in Grade B Fabric. This specification is for budget purposes and reflects list pricing.

# stylex

## LUNA 04

LINE	PART NUMBER	PART DESCRIPTION	QTY	LIST	EXT. LIST
1	LNE21H43	Luna, Elevated, Arm Left, High Back, 43in Long, Standard Uph	1	\$3,923.00	\$3,923.00
2	LNE41H25	Luna, Elevated, Round Inside Corner, High Back, Standard Uph	1	\$2,912.00	\$2,912.00
3	LNE11H43	Luna, Elevated, Standard, High Back, 43in Long, Standard Uph	1	\$3,350.00	\$3,350.00
4	LNE22H45	Luna, Elevated, Arm Right, High Back, 45in Long, Standard Uph	1	\$3,923.00	\$3,923.00
5	STU01H59W15	Still Screens, 15in Width, Uph. Screen, 59in Height	2	\$1,203.00	\$2,406.00
6	STU01H59W24	Still Screens, 24in Width, Uph. Screen, 59in Height	1	\$1,564.00	\$1,564.00
7	STW01H48W15	Still Screens, 15in Width, Wood Screen, 48in Height	1	\$1,450.00	\$1,450.00
8	STW01H59W36	Still Screens, 36in Width, Wood Screen, 59in Height	1	\$2,932.00	\$2,932.00
9	STW02H59	Still Screens, 90 Degree Corner, Wood Screen, 59in Height	1	\$1,295.00	\$1,295.00
10	STU02H59W15	Still Screens, Transition, Uph. Screen, 59in Height	1	\$1,203.00	\$1,203.00
11	STU02H59W15	Still Screens, Transition, Uph. Screen, 59in Height	1	\$1,203.00	\$1,203.00
12	STU10H48	Still Screens, End Cap, Uph. Screen, 48in Height	1	\$744.00	\$744.00
13	STB01	Still Screens, Base, Small	2	\$128.00	\$256.00

**Quote Total: \$27,161.00**