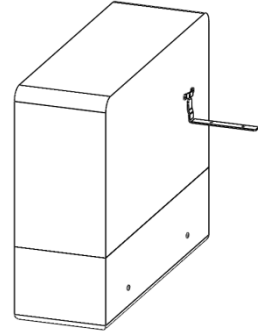


STYLEX

SHARE KNEEWALL GANGING INSTRUCTIONS

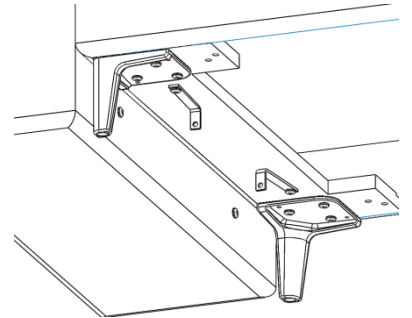
STEP 1:

Slide Kneewall female bracket over male bracket.



STEP 2:

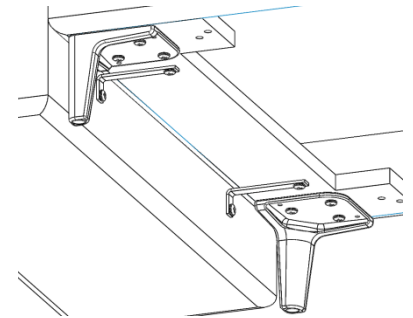
From beneath the chair, remove screws attached to Kneewall.



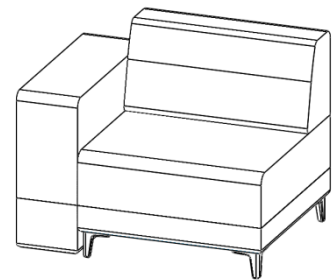
STEP 3:

Rotate brackets on chair and line up with holes on Kneewall.

Screw chair brackets into Kneewall using screws removed earlier.



Chair and Kneewall are now ganged together.



STYLEX

800.257.5742 T

856.461.5574 F

www.stylexseating.com

Rev. 12/13/2013